

MODESTO



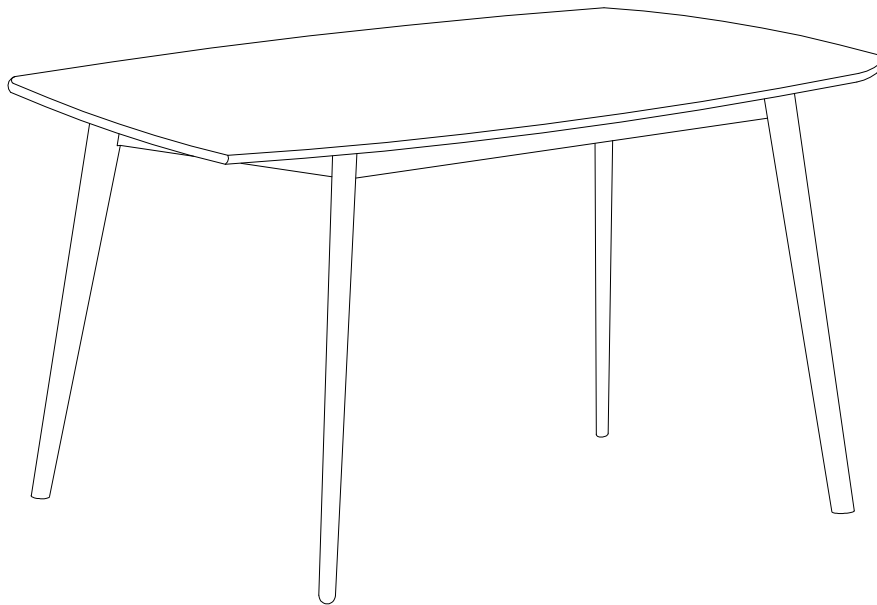
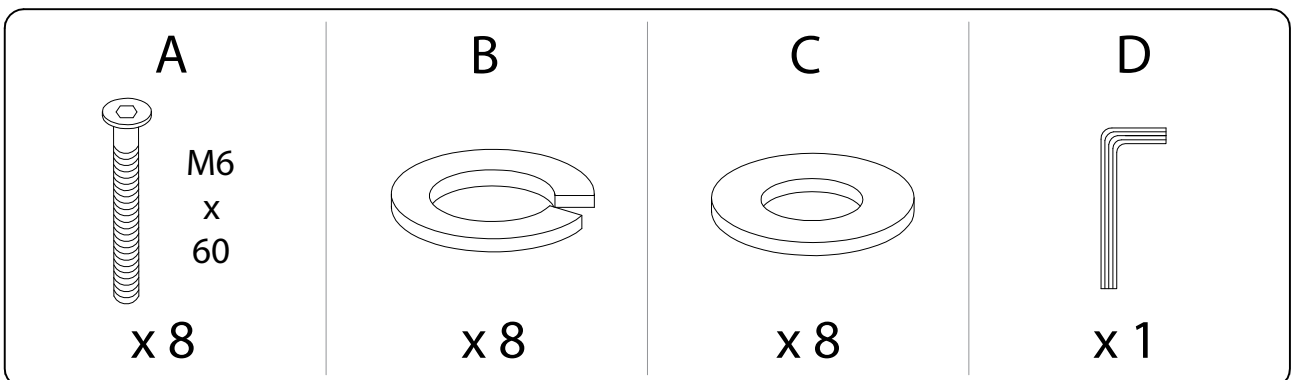
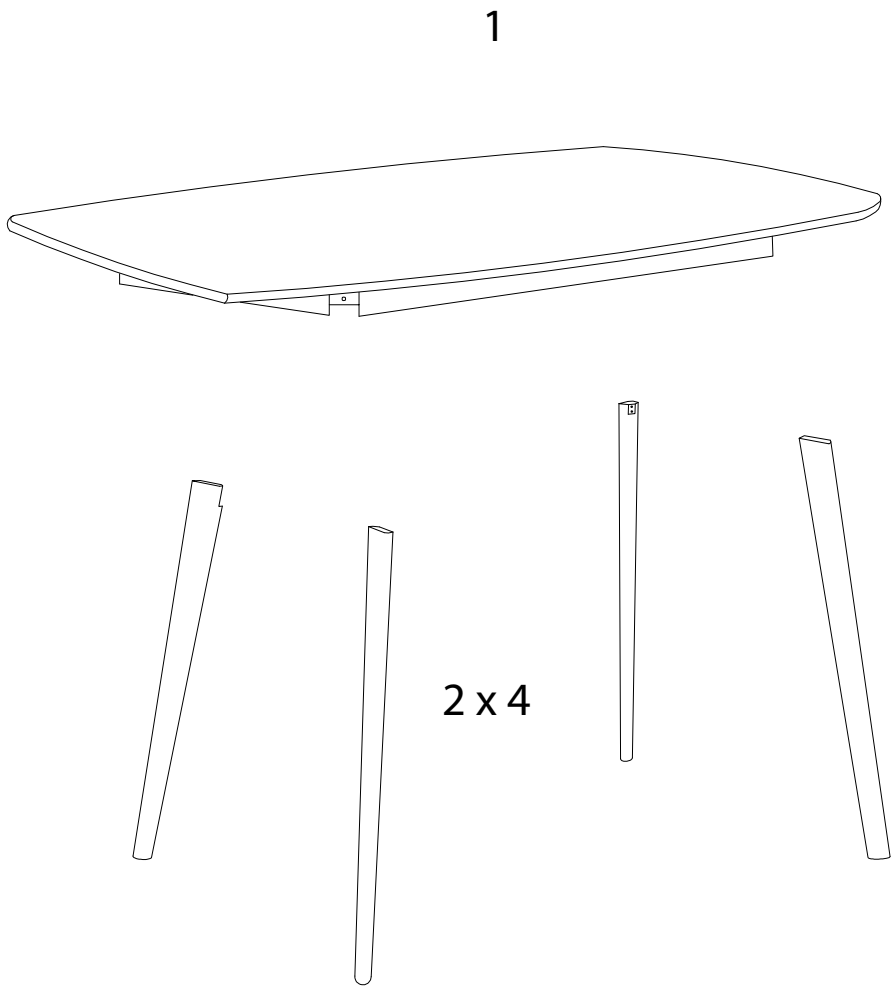
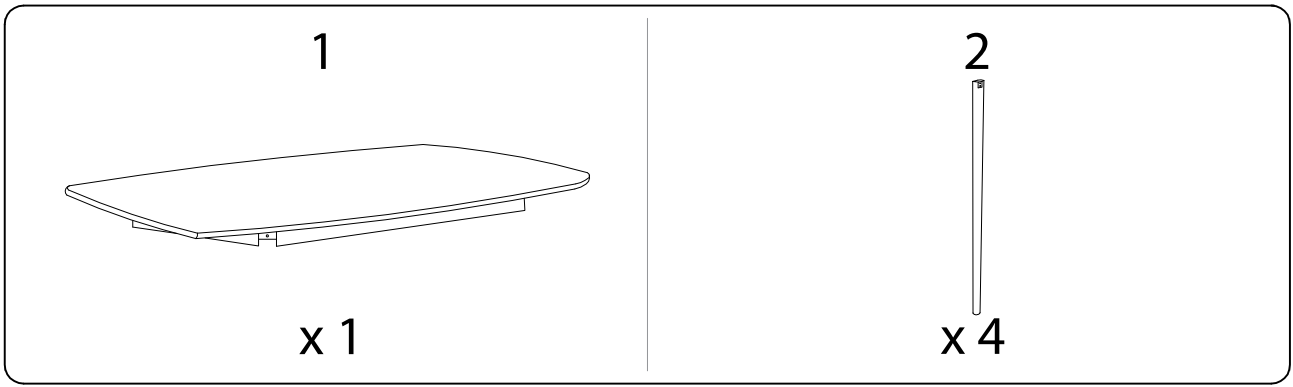


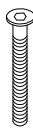


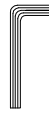


Diagram illustrating assembly instructions and safety warnings:

- Top Section:** Shows an L-shaped bracket being inserted into a hole in a table leg. A power drill is shown with a diagonal line through it, indicating that a power drill should not be used. A warning triangle with an exclamation mark is positioned to the right. Below this is a clock icon with a circular arrow, indicating a 20-minute assembly time.
- Bottom Section:** Shows a rectangular block being placed on a surface. A warning triangle with an exclamation mark is positioned to the right. Below this is a person icon, indicating that one person is required for assembly.



1

<p>1</p>  <p>x 1</p>	<p>2</p>  <p>x 4</p>	<p>A</p>  <p>M6 x 60 x 8</p>	<p>B</p>  <p>x 8</p>	<p>C</p>  <p>x 8</p>	<p>D</p>  <p>x 1</p>
---	---	---	--	---	---

