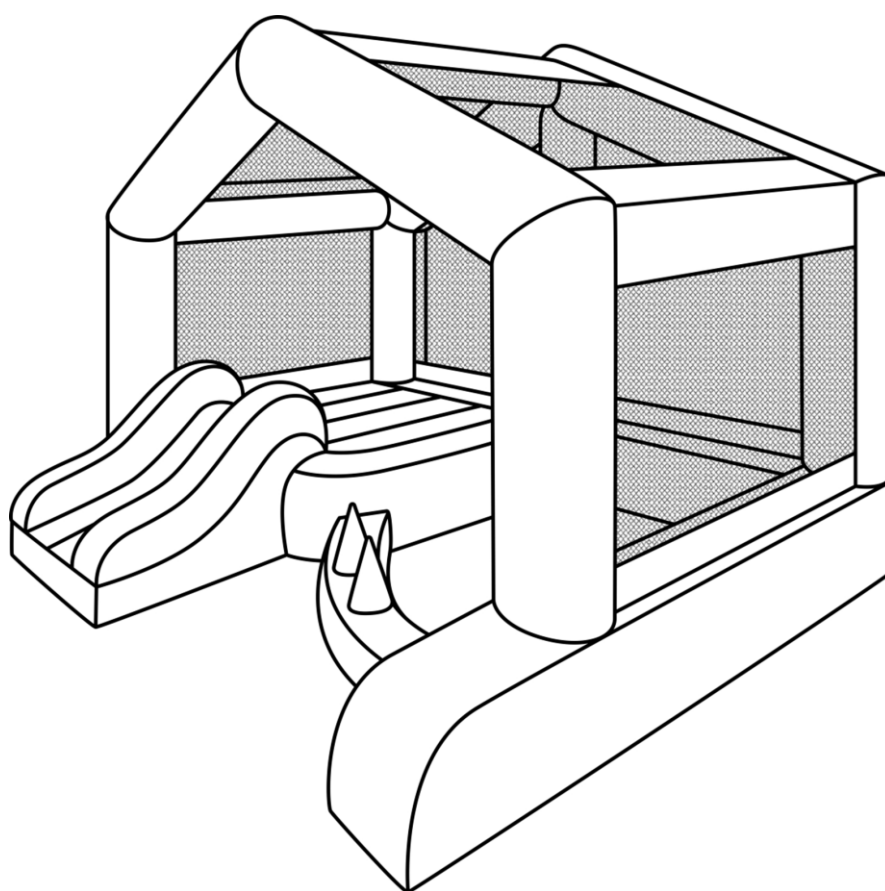


AIYAPLAY

IN250900140V01_UK_FR_DE_ES_IT

346-026V90



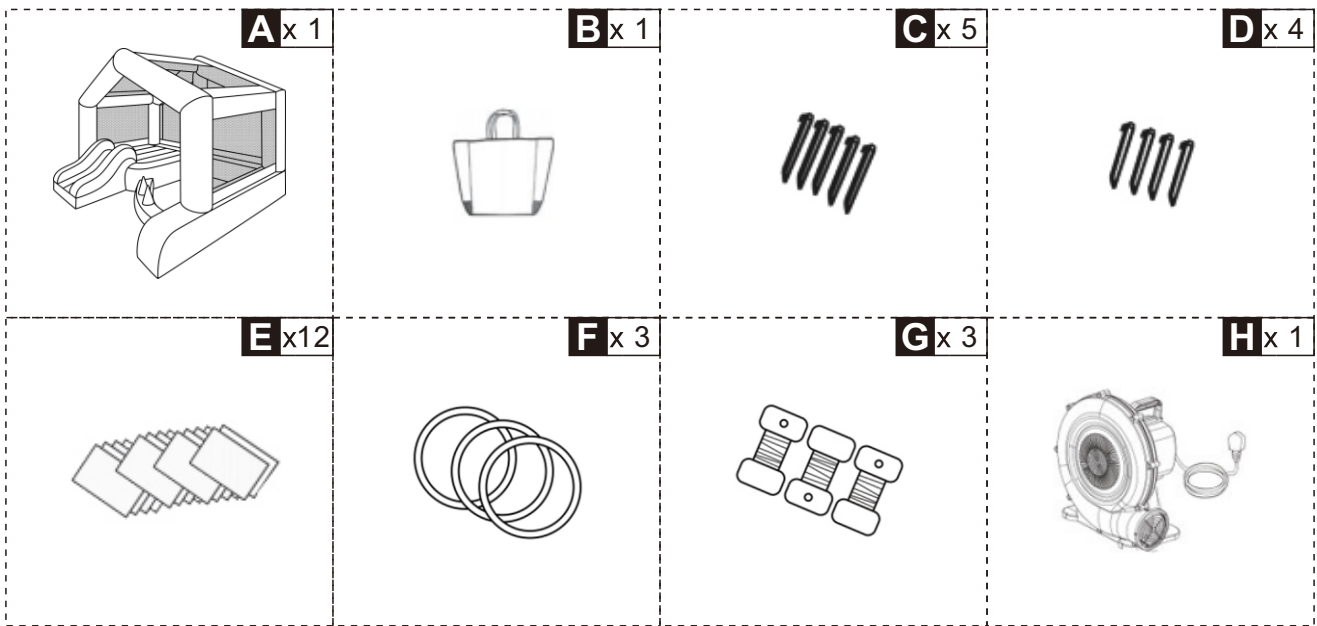
EN_IMPORTANT, RETAIN FOR FUTURE REFERENCE: READ CAREFULLY.

**FR_IMPORTANT : A LIRE ATTENTIVEMEN ET A CONSERVER POUR VOUS Y REFERER
ULTERIEUREMENT**

ES_IMPORTANTE, LEA Y GUARDE PARA FUTURAS REFERENCIAS.

DE_WICHTIG! SORGFÄLTIG LESEN UND FÜR SPÄTER NACHSCHLAGEN AUFBEWAHREN.

**IT_IMPORTANTE! CONSERVARE IL PRESENTE MANUALE PER FUTURO RIFERIMENTO E
LEggerlo ATTENTAMENTE.**



EN

Read all instructions before assembling this inflatable device and keep instructions for future use.

WARNING: FAILURE TO FOLLOW THESE INSTRUCTIONS COULD RESULT IN SERIOUS INJURY OR DEATH.

I. SAFETY PRECAUTIONS

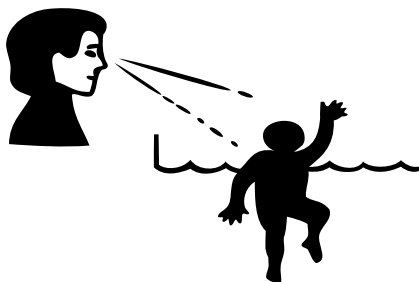
WARNING! This product should be inflated or deflated only by a competent adult. Use only under adult supervision. Follow all instructions provided.

- Keep power cord away from water.
- Keep away from fire. Keep fabric clear of all flame and ignition sources.
- Keep children away from blower. The blower is not a toy.
- Do not use extension cords with this product.
- Do not set up in windy or rainy conditions.
- Set up as close to power sources as possible.
- The blower should be securely anchored to the ground before use.
- Product should never be dragged across concrete, pavement or other rough surfaces.
- Always inspect inflatable for holes and open seams before each use.
- Do not insert fingers, toes, etc into the blower, or it may cause injury.
- Do not insert foreign objects into the blower. This will cause damage.
- Do not bring sharp objects into play area. Avoid and remove all head gear, loose clothing, hard, sharp, or dangerous objects, such as, but not limited to: jewelry, ponchos, scarves, helmets, etc.
- Do not eat, drink or chew gum in play area.
- When using slides, slide feet first, never head first. Always make sure slide is clear of others before sliding. Only one user may slide at a time.
- Never stand up on slide platform. Prevent children from climbing or hanging on the containing walls.
- Do not leave unit inflated or outside when not in use. Prolonged exposure to sun or strong weather will destroy fabric.

- Avoid rough play, such as somersaults, flips, wrestling and gymnastic moves, etc.
- Rough play is dangerous for children and can damage the unit.
- Do not use in direct sun in temperatures above 90 degrees Fahrenheit. Direct exposure to sun can heat surfaces to unsafe temperatures for play.
- Do not attach items to the inflatable device that are not specifically designed for use with the inflatable device, such as, but not limited to, jump ropes, clothesline, pet leashes, cables and chain as they have the potential to cause a strangulation hazard.
- Players should be evenly matched in size and abilities, to minimize injury risk.
- When climbing platforms, always climb in an upright position, placing feet in foot holes, and placing hands on support handles.
- Only for domestic use. Intended for outdoor domestic family use only. Not for use in public areas or as a rental.
- Set-up in outdoor location only that meets the following criteria:
 - Place on level ground and firm grass or soil to allow proper use of stakes.
 - Stakes should be placed at an angle for better anchorage, should be driven under the ground to prevent tripping.
 - Minimum clearance zones 6.6 ft (2 m) in any direction: Place at least other objects. Objects to be avoided include but are not limited to fences, buildings, trees. Overhead branches, laundry lines, electrical wires, walls, or bodies/sources of water.
 - Make sure the area around the product is secure by adding safety barriers, if necessary, to keep young children and pets from gaining access.
 - Electrical cord must not be passed under the air-filled devices (inflatable bouncer) and interfere with its operation.
 - Total weight limit of the product: 90KG (198LBS)
 - Total number of users: 3
 - No head-first sliding. Always slide feet-first.
- **WARNING-Follow Anchoring Instructions.**
 - Please do not use the anchor as a toy.
 - No shoes or glasses on the product.
 - Use under adult supervision.
 - Do not use extension cord.
 - **WARNING:** Failure to follow the installation and operating instructions present a risk of serious injury or death.
 - Prohibited in windy conditions.

WARNING

Prevent Drowning



Children- especially toddlers- are at high risk of drowning. Closely watch children who are in or near this Constant Air Inflatable.
Empty water from Constant Air Inflatable after use.

WARNING

Electrocution Hazard-DO NOT USE EXTENSION CORDS WITH THIS PRODUCT.

WARNING

Follow Anchoring Instructions User must read and follow anchoring instructions to ensure the proper: number of anchors used, soil conditions, and stake installation.

WARNING



Yes



No



Yes



No

Stake Angle

Wind Speed Judgement

No head-first sliding. Always slide feet-first.
No shoes or glasses are to be worn on the inflatable device.
Any restrictions related to operating in windy conditions.
Adult supervision recommended.

WARNING:

Failure to follow the installation and operating instructions present a risk of serious injury or death.

Use on flat grass and non-hard ground. Do not use in windy and rainy weather.

Do not contact water with electric wire air pump.

Suitable age range: from 3 years to 8 years old.

- This inflatable device conforms to ASTM F2729, Standard Consumer Safety Specification for Constant Air Inflatable Play Devices for Home Use. Refer to P39-P52 in the report "E530077-Vol1-Sec2-UL Mark Procedure".
- Stakes are to be driven straight down until the top of the stake is below ground level. Do not drive stakes at an angle. For best holding strength, drive stakes into hard, dry soil. In loose or wet soil, or both, stake holding strength will be reduced.
- Maximum safe wind speed while inflated is level 4:
- Operational space requirement: Can be used on flat and non-sloping ground, do not use on sand soil and water.
- Please use the supplied blower for inflation.
- Position the inflatable on level ground not less than 1.8 meters from buildings or obstacles such as fences, garages, houses, overhanging branches, laundry lines, power lines, etc.
- Do not install removable equipment on concrete, asphalt, fill dirt, carpet, or any other hard surface. A fall onto a hard surface may cause serious injury to the user.
- The area immediately adjacent to all entrances and exits of the inflatable device shall be provided with a use zone that is free of obstructions and surfaced to cushion impacts for a distance of at least 1.8 m (6 ft.) and shall include a critical drop height as specified by the manufacturer.
- To keep the product clean: wipe the bouncer or blower using a dry cloth or a cloth dampened with a neutral, non-flammable, non-toxic cleaning and sanitizing solution or pure water.
- Product should never be stored wet. Allow to dry before rolling up.
- The product should be periodically examined for potentially unsafe conditions such as: damaged cord, plug, housing, or parts, and that in the event such damage is found, the product should not be used until properly repaired. Never leave the fan outside in the rain or elements when not in use. Minor repairs can be made using the enclosed repair patches.
- If the surface of the product puckers or breaks, it is severely worn and should be repaired.
- Please stand to the side of the entrance to the play area to ensure that all children in the play area can be observed.

- Do not set up in windy or rainy conditions.
- Do not bring sharp objects into play area. Avoid and remove all head gear, loose clothing, hard, sharp, or dangerous objects, such as, but not limited to: jewelry, ponchos, scarves, helmets, etc.
- Do not allow larger children to play with smaller children
- Avoid rough play, such as somersaults, flips, wrestling and gymnastic moves, etc.
- Do not eat, drink, or chew gum while playing the game.
- Do not climb or hang from the shelter wall.
- Keep pets away from the inflatable device.
- Do not attach items to the inflatable device that are not specifically designed for use with the inflatable device, such as jump ropes, clotheslines, pet leashes, cables and chains, as they may pose a choking hazard.
- Please place the inflatable unit on a flat surface and firm grass or soil.
- Install fencing or other approved barrier around all sides of the Constant Air Inflatable.
- State or local laws or codes may require fencing or other approved barriers. Check state or local laws and codes before setting up the Constant Air Inflatable.
- Drowning occurs silently and quickly. Assign an adult to supervise the Constant Air Inflatable.
- Keep children in your direct sight when they are in or near the Constant Air Inflatable and when you are filling and emptying the Constant Air Inflatable.
- When searching for a missing child, check the pool first, even if you think your child is in the house.
- Keep a working phone and list of emergency numbers near the Constant Air Inflatable.
- Become certified in cardiopulmonary resuscitation (CPR) so you can respond to an emergency.



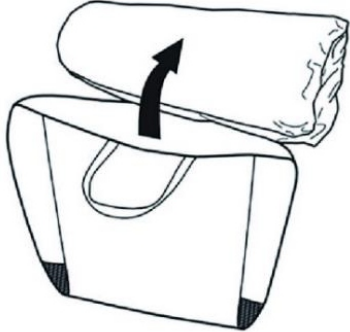
Electrocution Risk:

- Keep all electrical lines, radios, speakers and other electrical devices away from the Constant Air Inflatable.
- Do not place the Constant Air Inflatable near or under overhead electrical lines.

II. INSTALLATION GUIDE

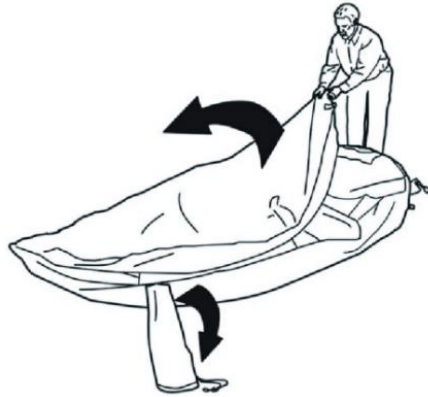
Set up

1



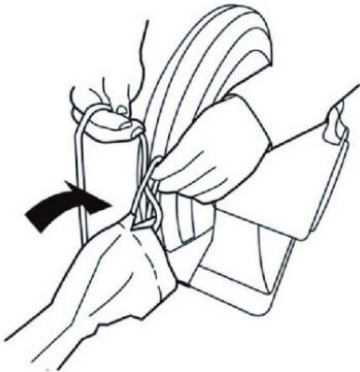
Take out the inflatable unit

2



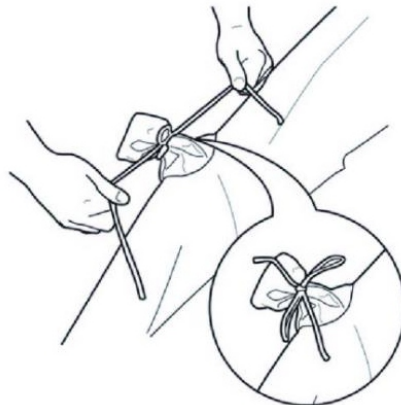
Fully spread out and find the position of the air inlet tube.

3



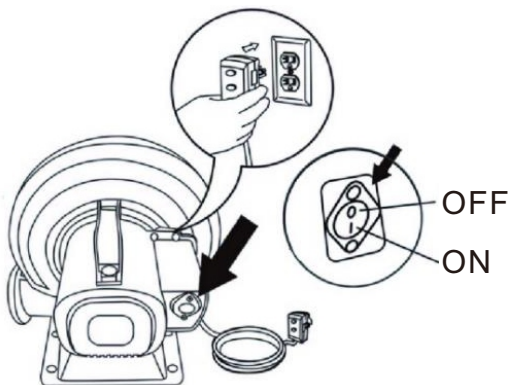
Attach fabric tube to blower unit making sure the tube is not twisted.

4



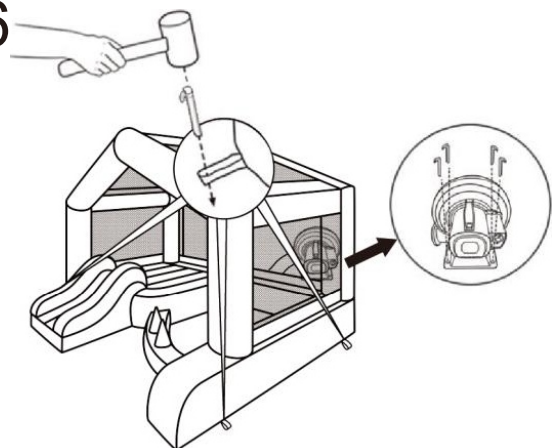
Tie off the short tube as shown.

5



Plug in the power and turn on the blower.

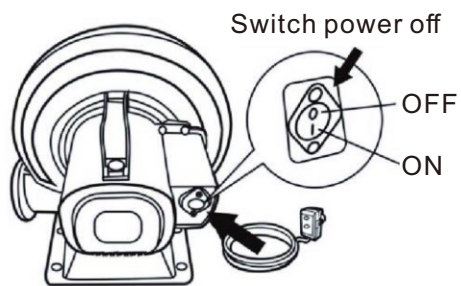
6



Anchor the bouncer with stakes.

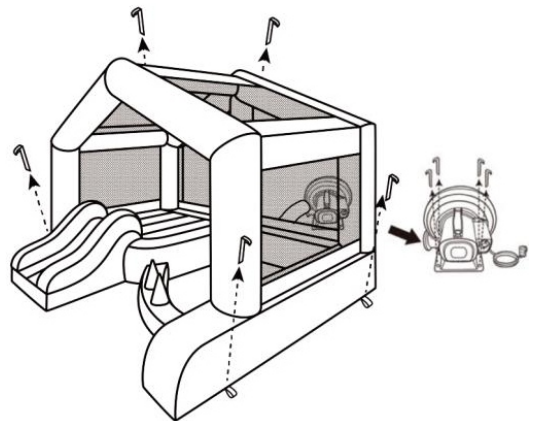
Deflation & Storage

1



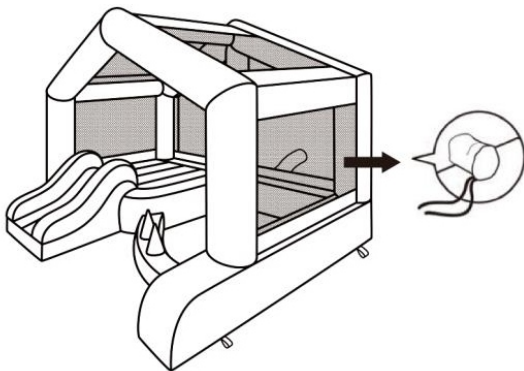
Turn off the blower and unplug it from the outlet.

2



Pull up the stakes

3



Untie drawstring from the intake Tube and allow the bouncer to fully deflate.

4



Fold up

5



Compress air out as you are rolling up inflatable.

6



Put in storage bag and store in dry and ventilated place.

Care And Maintenance Treatment

Introduction to the use of repair patches



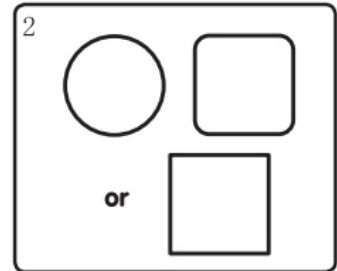
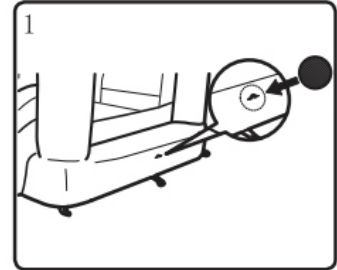
WARNING
NOT A TOY. ADULT USE ONLY.

Warning: This is not a toy.

Can only be operated and used by adults.

Steps for using repair patches:

- 1) Find the damaged area, clean the surrounding area, and wait for the area to dry.
- 2) Take out the corresponding color patch and cut it into a suitable shape and size. (as shown in Figures 1 and 2)
- 3) Cover the cut repair patch on the damaged area.
- 4) Use the wire clip to sew the repair patch around the damaged area.



Safety Warnings: FAILURE TO FOLLOW THESE INSTRUCTIONS COULD RESULT IN SERIOUS INJURY OR DEATH.



Maximum player:3



Total weight limit:
198lbs (90 kg)



Individual weight limit:
66 lbs (30 kg)



Maximum individual
height: 5 feet (152 cm)



Adult supervision
required



Age



No sharp objects



No shoes, no glasses



No flipping



No head-first sliding.
Always slide fee-first.



No wrestling



No hands or feet on net



Do not use in windy
conditions



Do not leave out in
rain



Do not allow Children
to touch fans or
electrical cord



Must be anchored using
stakes

III. MAINTENANCE

Instructions for Bouncer Maintenance

- As an outdoor product, the bounce house is subject to wear and deterioration. Inspect for signs of fabric failure; weak or torn surfaces must be repaired promptly.
- To keep the product clean: wipe the bouncer or blower using a dry cloth or a cloth dampened with a neutral, non-flammable, non-toxic cleaning and sanitizing solution or pure water.
- Product should never be stored wet. Allow to dry before rolling up.
- The product should be periodically examined for potentially unsafe conditions such as: damaged cord, plug, housing, or parts, and that in the event such damage is found, the product should not be used until properly repaired. Never leave the fan outside in the rain or elements when not in use. Minor repairs can be made using the enclosed repair patches.

Instructions for Blower Maintenance

- Blower must be unplugged before servicing.
- Product should be periodically examined for potentially unsafe conditions such as damaged cord, plug, housing, or parts, and that in the event such damage is found, the product should not be used until properly repaired. If these checks are not carried out, the product could overturn or otherwise become a hazard.
- The blower does not require any lubrication and has no user serviceable parts. Do not attempt to service the blower.
- Do not immerse the fan in water. To clean, wipe with a damp cloth.
- Regularly check the intake and output openings and keep free of dirt, leaves, etc.
- When not in use, store the blower indoors in a dry place.
- Store the blower upright on a stable surface.
- Loosely coil the cord and place it beside the blower.
- When in use, do not place the cord across traffic areas, water or damp areas.
- The blower is a high-volume blower, and is capable of moving large volumes of air very quickly. Place the blower in an area where it will not draw in dirt or leaves.
- Do not operate any fan with a damaged cord or plug. Discard fan or return to an authorized service facility for examination and/or repair.
- Do not run cord under carpeting. Do not cover cord with throw rugs, runners, or similar coverings. Do not route cord under furniture or appliances. Arrange cord away from traffic area and where it will not be tripped over.

IV. TROUBLESHOOTING

1. THERE IS WATER INSIDE OF MY UNIT

To thoroughly dry your inflatable, turn off all sprayers, and deflate the unit. Dump all standing water from the unit and shake dry. Once the unit is dry, re-attach the blowers, and re-inflate the unit with the short tube open. Your unit will begin to dry from the inside-out. This is critical to avoiding issues such as mold and mildew, and to prolonging the life of your water inflatable unit. NEVER STORE WET.

2. THE UNIT DOES NOT STAY INFLATED

Make sure the blower is on, attached to the long tube of the inflatable and running continuously while the inflatable is being used. Make sure the deflation valve (short tube) is tied shut during use. Make sure the weight of users does not exceed manufacturers specifications.

3. MY INFLATABLE DOES NOT FIT IN ITS CASE

Make sure that all the air is out of the inflatable. Fold the inflatable over every 24 inches, pressing extra air out. Once the inflatable is folded over multiple times to one long run of approximately 24" wide, roll the inflatable from one end to the other, into a "sleeping bag shape," continuing to push excess air out.

4. THERE IS A PUNCTURE HOLE IN MY INFLATABLE

The best way to permanently patch a hole is to use strong thread or fishing line to sew the included patch(s) over the hole. Using glue is a short-term fix only, and may not last.

5. CAN I RENT OUT MY RESIDENTIAL INFLATABLE?

Our residential inflatable are not designed for rental or commercial use.

6. THERE IS AIR AND/OR BUBBLES COMING OUT OF MY INFLATABLE

This is normal. Air must escape for the inflatable to function properly.

7. I HEAR A HISSING NOISE

This is normal. Air must escape for the inflatable to function properly, which may cause a hissing noise.

8. DO WATER SLIDES WORK DRY?

Water slides slide much better wet. Some items have features that may be used wet or dry.

9. I FEEL LIKE MY WATER PARK WASTES WATER

Very little water is required to make the slides function. Our Water Parks have flow restriction, but you may also adjust your water flow at the hose faucet, to allow just enough water for the slides to function.

10. WATER ESCAPES FROM THE SPLASH AREA OF MY INFLATABLE

This is normal.

11. CAN I STORE MY INFLATABLE OUTSIDE?

No, weather conditions will destroy your inflatable if it is left out. Please store inflatable unit in dry and ventilated place.

12. MY BLOWER IS NOT WORKING

Make sure you are using standard 110 power. Blowers do not function on 220. If your Blower is equipped with a GFCI on the plug, make sure the GFCI is on, not in Test Mode. Check your outlet to make sure it is on.

Lisez toutes les instructions avant d'assembler cet appareil gonflable et conservez les instructions pour une utilisation future.

AVERTISSEMENT : LE NON-RESPECT DE CES INSTRUCTIONS PEUT ENTRAÎNER DES BLESSURES GRAVES OU LA MORT.

I. PRÉCAUTIONS DE SÉCURITÉ

AVERTISSEMENT! Ce produit ne doit être gonflé ou dégonflé que par un adulte compétent. Utiliser uniquement sous la surveillance d'un adulte. Suivez toutes les instructions fournies.

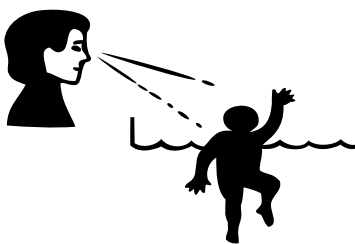
- Gardez le cordon d'alimentation à l'abri de l'eau.
- Tenir à l'écart du feu. Gardez le tissu à l'écart de toute flamme et source d'inflammation.
- Tenez les enfants à l'écart du souffleur. Le souffleur n'est pas un jouet.
- N'utilisez pas de rallonges avec ce produit.
- Ne pas installer dans des conditions venteuses ou pluvieuses.
- Installez-vous aussi près que possible des sources d'alimentation.
- Le souffleur doit être solidement ancré au sol avant utilisation.
- Le produit ne doit jamais être traîné sur du béton, une chaussée ou d'autres surfaces rugueuses.
- Inspectez toujours les structures gonflables pour détecter les trous et les coutures ouvertes avant chaque utilisation.
- N'insérez pas les doigts, les orteils, etc. dans le ventilateur, sinon cela pourrait causer des blessures.
- N'insérez pas d'objets étrangers dans le ventilateur. Cela causera des dommages.
- N'apportez pas d'objets pointus dans l'aire de jeu. Évitez et retirez tous les couvre-chefs, les vêtements amples, les objets durs, tranchants ou dangereux, tels que, mais sans s'y limiter : bijoux, ponchos, foulards, casques, etc.
- Ne mangez pas, ne buvez pas et ne mâchez pas de chewing-gum dans l'aire de jeux.
- Lorsque vous utilisez des toboggans, glissez les pieds en premier, jamais la tête en premier. Assurez-vous toujours que la glissière est à l'écart des autres avant de glisser. Un seul utilisateur peut glisser à la fois.
- Ne vous tenez jamais debout sur la plate-forme coulissante. Empêchez les enfants de grimper ou de s'accrocher aux murs de confinement.
- Ne laissez pas l'appareil gonflé ou à l'extérieur lorsqu'il n'est pas utilisé. Une exposition prolongée au soleil ou aux intempéries détruira le tissu.
- Évitez les jeux brutaux, tels que les sauts périlleux, les sauts périlleux, les mouvements de lutte et de gymnastique, etc.
- Le jeu brutal est dangereux pour les enfants et peut endommager l'appareil.
- Ne pas utiliser en plein soleil à des températures supérieures à 90 degrés Fahrenheit. L'exposition directe au soleil peut chauffer les surfaces à des températures dangereuses pour le jeu.
- N'attachez pas d'objets au dispositif gonflable qui ne sont pas spécifiquement conçus pour être utilisés avec le dispositif gonflable, tels que, mais sans s'y limiter, des cordes à sauter, des cordes à linge, des laisses pour animaux de compagnie, des câbles et des chaînes, car ils peuvent présenter un risque d'étranglement.
- Les joueurs doivent être égaux en taille et en capacités, afin de minimiser le risque de blessure.
- Lorsque vous grimpez sur des plates-formes, montez toujours en position verticale, en plaçant les pieds dans les trous pour les pieds et en plaçant les mains sur les poignées de support.

- Uniquement pour un usage domestique. Destiné à un usage domestique extérieur pour la famille uniquement. Ne pas utiliser dans les espaces publics ou en location.
- Installation à l'extérieur uniquement qui répond aux critères suivants :
 - Placez sur un sol plat et de l'herbe ou un sol ferme pour permettre une bonne utilisation des tuteurs.
 - Les piquets doivent être placés à un angle pour un meilleur ancrage, doivent être enfoncés sous le sol pour éviter de trébucher.
 - Zones de dégagement minimum de 6,6 pi (2 m) dans n'importe quelle direction : Placez au moins d'autres objets. Les objets à éviter comprennent, sans s'y limiter, les clôtures, les bâtiments, les arbres. Branches aériennes, cordes à linge, fils électriques, murs ou plans/sources d'eau.
 - Assurez-vous que la zone autour du produit est sécurisée en ajoutant des barrières de sécurité, si nécessaire, pour empêcher les jeunes enfants et les animaux domestiques d'y accéder.
 - Le cordon électrique ne doit pas être passé sous les appareils remplis d'air (videur gonflable) et interférer avec son fonctionnement.
 - Limite de poids total du produit: 90KG (198LBS)
 - Nombre total d'utilisateurs: 3
 - Pas de glissement de la tête d'abord. Glissez toujours les pieds en premier.
- **AVERTISSEMENT-Suivez les instructions d'ancrage.**
 - Veuillez ne pas utiliser l'ancre comme un jouet.
 - Pas de chaussures ou de lunettes sur le produit.
 - Utiliser sous la surveillance d'un adulte.
 - N'utilisez pas de rallonge.
 - **AVERTISSEMENT:** Le non-respect des instructions d'installation et d'utilisation présente un risque de blessure grave ou de mort.
 - Interdit dans des conditions venteuses.



AVERTISSEMENT

Prévenir les noyades



Les enfants, en particulier les tout-petits, courent un risque élevé de noyade. Surveillez attentivement les enfants qui se trouvent à l'intérieur ou à proximité de cette structure gonflable à air constant. Vider l'eau de la structure gonflable à air constant après utilisation.



AVERTISSEMENT

Risque d'électrocution - NE PAS UTILISER DE CORDONS DE RALLONGE AVEC CE PRODUIT.



AVERTISSEMENT

Suivre les instructions d'ancrage
L'utilisateur doit lire et suivre les instructions d'ancrage pour s'assurer que le nombre d'ancrages utilisés, les conditions du sol et l'installation des piquets sont corrects.



AVERTISSEMENT



Yes



No

Angle de Pieu



Yes



No

Évaluation de la vitesse du vent

Ne pas glisser la tête la première. Il faut toujours glisser les pieds en premier.

Il est interdit de porter des chaussures ou des lunettes sur l'appareil gonflable.

Toute restriction liée à l'utilisation dans des conditions venteuses. La surveillance d'un adulte est recommandée.

AVERTISSEMENT:

Le non-respect des instructions d'installation et d'utilisation présente un risque de blessure grave, voire mortelle.

Utilisez ce produit sur de l'herbe plate et un sol non dur. Ne pas utiliser par temps venteux ou pluvieux.

Ne pas mettre en contact l'eau avec le fil électrique de la pompe à air.
Tranche d'âge appropriée: de 3 ans à 8 ans.

- Ce dispositif gonflable est conforme à la norme ASTM F2729, Standard Consumer Safety Specification for Constant Air Inflatable Play Devices for Home Use.
Reportez-vous à P39-P52 dans le rapport « Procédure de marquage E530077-Vol1-Sec2-UL ».
- Les piquets doivent être enfoncés tout droit jusqu'à ce que le haut du piquet soit sous le niveau du sol. N'enfoncez pas les piquets en biais. Pour une meilleure force de maintien, enfoncez les piquets dans un sol dur et sec. Dans un sol meuble ou humide, ou les deux, la force de maintien des piquets sera réduite.
- La vitesse maximale de sécurité du vent lorsqu'il est gonflé est de niveau 4 :
- Espace opérationnel requis : Peut être utilisé sur un sol plat et non en pente, ne pas utiliser sur un sol sablonneux et de l'eau.
- Veuillez utiliser le ventilateur fourni pour le gonflage.
- Positionnez le gonflable sur un sol plat à au moins 1,8 mètre des bâtiments ou des obstacles tels que des clôtures, des garages, des maisons, des branches en surplomb, des cordes à linge, des lignes électriques, etc.
- N'installez pas d'équipement amovible sur du béton, de l'asphalte, de la terre de remplissage, de la moquette ou toute autre surface dure. Une chute sur une surface dure peut causer des blessures graves à l'utilisateur.
- La zone immédiatement adjacente à toutes les entrées et sorties de l'appareil gonflable doit être pourvue d'une zone d'utilisation libre d'obstacles et recouverte d'un revêtement permettant d'amortir les chocs sur une distance d'au moins 1,8 m (6 pi) et doit comprendre une hauteur de chute critique précisée par le fabricant.
- Pour garder le produit propre : essuyer le videur ou le souffleur à l'aide d'un chiffon sec ou d'un chiffon imbibé d'une solution de nettoyage et d'assainissement neutre, ininflammable et non toxique ou d'eau pure.
- Le produit ne doit jamais être stocké humide. Laisser sécher avant d'enrouler.
- Le produit doit être examiné périodiquement pour détecter des conditions potentiellement dangereuses telles que : cordon, fiche, boîtier ou pièces endommagés, et que dans le cas où de tels dommages sont constatés, le produit ne doit pas être utilisé tant qu'il n'a pas été correctement réparé. Ne laissez jamais le ventilateur à l'extérieur sous la pluie ou les intempéries lorsqu'il n'est pas utilisé. Des réparations mineures peuvent être effectuées à l'aide des patches de réparation ci-joints.

- Si la surface du produit se plisse ou se brise, il est très usé et doit être réparé.
- Veuillez vous tenir sur le côté de l'entrée de l'aire de jeux pour vous assurer que tous les enfants dans l'aire de jeux peuvent être observés.
- Ne pas installer dans des conditions venteuses ou pluvieuses.
- N'apportez pas d'objets pointus dans l'aire de jeu. Évitez et retirez tous les couvre-chefs, les vêtements amples, les objets durs, tranchants ou dangereux, tels que, mais sans s'y limiter : bijoux, ponchos, foulards, casques, etc.
- Ne laissez pas les grands enfants jouer avec les plus petits
- Évitez les jeux grossiers, tels que les sauts périlleux, les flips, les mouvements de lutte et de gymnastique, etc.
- Ne mangez pas, ne buvez pas et ne mâchez pas de chewing-gum pendant que vous jouez au jeu.
- Ne grimpez pas ou ne vous suspendez pas au mur de l'abri.
- Gardez les animaux domestiques éloignés de l'appareil gonflable.
- N'attachez pas d'objets au dispositif gonflable qui ne sont pas spécifiquement conçus pour être utilisés avec le dispositif gonflable, tels que des cordes à sauter, des cordes à linge, des laisses pour animaux de compagnie, des câbles et des chaînes, car ils peuvent présenter un risque d'étouffement.
- Veuillez placer l'unité gonflable sur une surface plane et de l'herbe ou un sol ferme.
- Installez une clôture ou une autre barrière approuvée sur tous les côtés du gonflable à air constant.
- Les lois ou codes nationaux ou locaux peuvent exiger des clôtures ou d'autres barrières approuvées. Vérifiez les lois et codes nationaux ou locaux avant d'installer le gonflable Constant Air.
- La noyade se produit silencieusement et rapidement. Désignez un adulte pour superviser le Constant Air Inflatable.
- Gardez les enfants dans votre vue directe lorsqu'ils sont dans ou à proximité du gonflable Constant Air et lorsque vous remplissez et videz le gonflable Constant Air.
- Lorsque vous recherchez un enfant disparu, vérifiez d'abord la piscine, même si vous pensez que votre enfant est dans la maison.
- Gardez un téléphone en état de marche et une liste de numéros d'urgence près du Constant Air Inflatable.
- Obtenez une certification en réanimation cardiorespiratoire (RCR) afin de pouvoir intervenir en cas d'urgence.



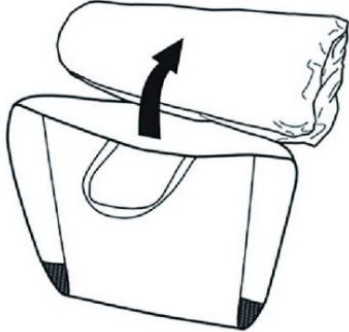
Risque d'électrocution :

- Gardez toutes les lignes électriques, radios, haut-parleurs et autres appareils électriques à l'écart du Constant Air Inflatable.
- Ne placez pas le gonflable Constant Air à proximité ou sous des lignes électriques aériennes.

II. GUIDE D'INSTALLATION

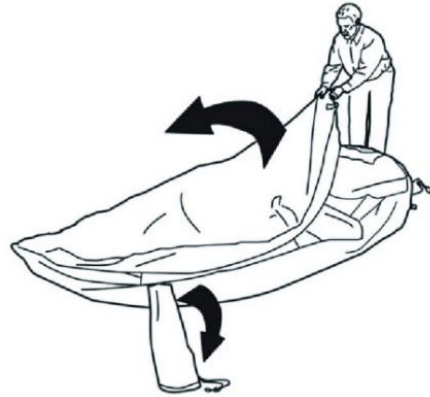
Mettre en place

1



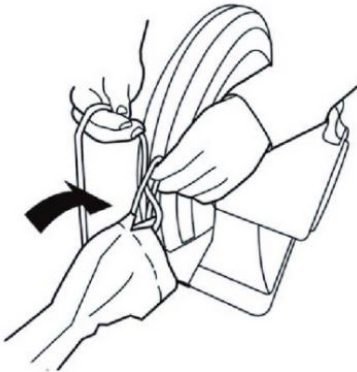
Sortez l'unité gonflable

2



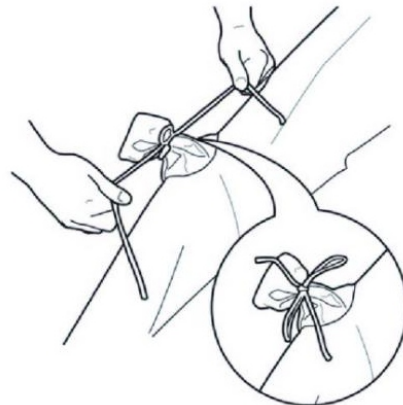
Étalez-vous complètement et trouvez la position du tube d'entrée d'air.

3



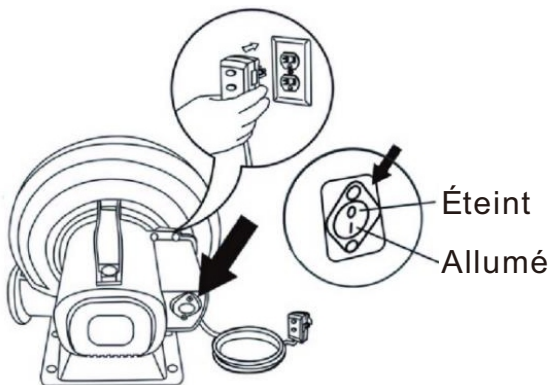
Fixez le tube en tissu à l'unité de soufflage en vous assurant que le tube n'est pas tordu.

4



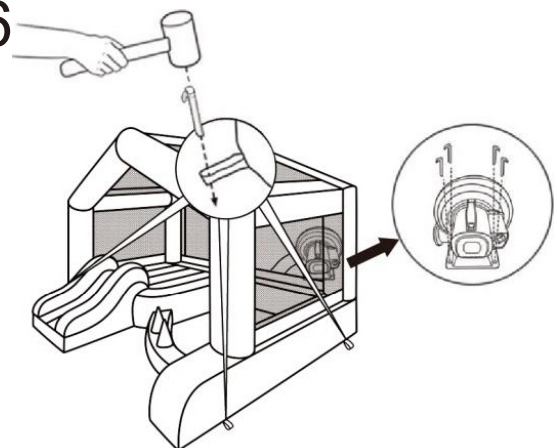
Attachez le tube court comme indiqué.

5



Branchez l'alimentation et allumez le ventilateur.

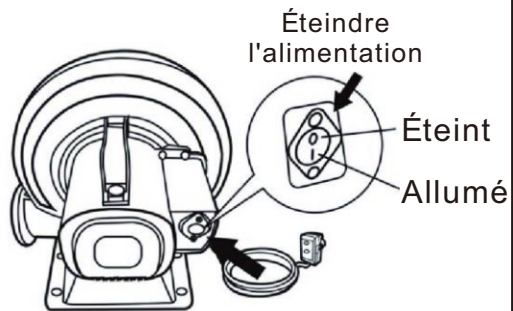
6



Ancrez le videur avec des piquets.

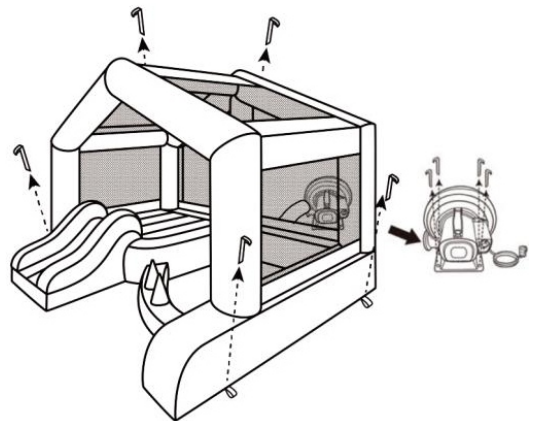
Déflation et stockage

1



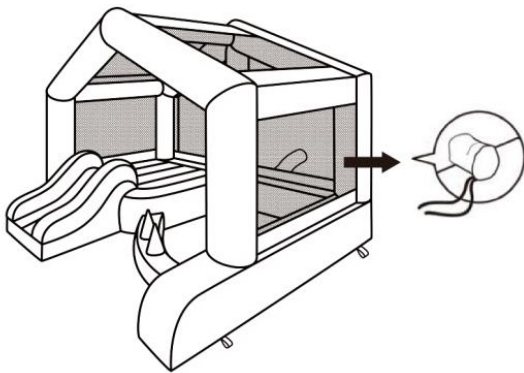
Éteignez le ventilateur et débranchez-le de la prise.

2



Remonter les enclères

3



Détachez le cordon de serrage du tube d'admission et laissez le transat se dégonfler complètement.

4



Replier

5



Comprimez l'air pendant que vous roulez le gonflable.

6



Mettre dans un sac de rangement et conserver dans un endroit sec et ventilé.

Soins et traitement d'entretien

Introduction à l'utilisation des patches de réparation

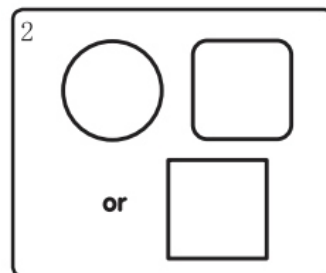
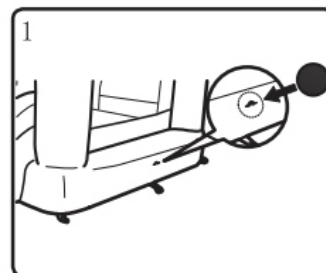


**AVERTISSEMENT
PAS UN JOUET. USAGE ADULTE
UNIQUEMENT.**

Attention : Ce n'est pas un jouet.

Ne peut être utilisé et utilisé que par des adultes. Étapes d'utilisation des correctifs de réparation :

- 1) Trouvez la zone endommagée, nettoyez la zone environnante et attendez que la zone sèche.
- 2) Retirez le patch de couleur correspondant et coupez-le dans une forme et une taille appropriées. (comme le montrent les figures 1 et 2)
- 3) Couvrez la pièce de réparation de la coupure sur la zone endommagée.
- 4) Utilisez le clip métallique pour coudre le patch de réparation autour de la zone endommagée.



Avertissements de sécurité : LE NON-RESPECT DE CES INSTRUCTIONS PEUT ENTRAÎNER DES BLESSURES GRAVES OU LA MORT.



Nombre maximum de joueurs: 3



Limite de poids total: 90 kg (198 livres)



Poids maximum individuel: 30 kg (66 lb)



Taille individuelle maximale : 5 pieds (152 cm)



Surveillance d'un adulte requise



Âge



Pas d'objets pointus



Pas de chaussures, pas de lunettes



Pas de retournement



Pas de glissement de la tête la première.
Glissez toujours en premier.



Pas de lutte



Pas de mains ni de pieds sur le filet



Ne pas utiliser dans des conditions venteuses



Ne pas laisser dehors sous la pluie



Ne laissez pas les enfants toucher le ventilateur ou le cordon électrique



Doit être ancré à l'aide de piquets

III. ENTRETIEN

Instructions pour l'entretien du videur

- En tant que produit d'extérieur, la maison gonflable est sujette à l'usure et à la détérioration. Inspecter pour détecter des signes de défaillance du tissu ; Les surfaces faibles ou déchirées doivent être réparées rapidement.
- Pour garder le produit propre : essuyez le transat ou le souffleur à l'aide d'un chiffon sec ou d'un chiffon imbibé d'une solution de nettoyage et d'assainissement neutre, ininflammable et non toxique ou d'eau pure.
- Le produit ne doit jamais être stocké humide. Laisser sécher avant d'enrouler.
- Le produit doit être examiné périodiquement pour détecter des conditions potentiellement dangereuses telles que : un cordon, une fiche, un boîtier ou des pièces endommagés, et dans le cas où de tels dommages sont constatés, le produit ne doit pas être utilisé tant qu'il n'a pas été correctement réparé. Ne laissez jamais le ventilateur à l'extérieur sous la pluie ou les intempéries lorsqu'il n'est pas utilisé. Des réparations mineures peuvent être effectuées à l'aide des patches de réparation ci-joints.

Instructions pour l'entretien du ventilateur

- Le ventilateur doit être débranché avant l'entretien.
- Le produit doit être examiné périodiquement pour détecter des conditions potentiellement dangereuses telles qu'un cordon, une fiche, un boîtier ou des pièces endommagés, et dans le cas où de tels dommages sont constatés, le produit ne doit pas être utilisé tant qu'il n'a pas été correctement réparé. Si ces contrôles ne sont pas effectués, le produit pourrait se renverser ou devenir un danger.
- Le ventilateur ne nécessite aucune lubrification et n'a pas de pièces réparables par l'utilisateur. N'essayez pas d'entretenir le ventilateur.
- Ne plongez pas le ventilateur dans l'eau. Pour nettoyer, essuyez avec un chiffon humide.
- Vérifiez régulièrement les ouvertures d'admission et de sortie et gardez-les à l'abri de la saleté, des feuilles, etc.
- Lorsqu'il n'est pas utilisé, rangez le souffleur à l'intérieur dans un endroit sec.
- Rangez le souffleur à la verticale sur une surface stable.
- Enroulez sans serrer le cordon et placez-le à côté du ventilateur.
- Lors de l'utilisation, ne placez pas le cordon dans des zones de circulation, de l'eau ou damp zones.
- Le ventilateur est un ventilateur à haut volume et est capable de déplacer de grands volumes d'air très rapidement. Placez le souffleur dans un endroit où il n'aspirera pas la saleté ou les feuilles.
- N'utilisez pas un ventilateur avec un cordon ou une fiche endommagés. Jetez le ventilateur ou retournez-le à un centre de service agréé pour examen et/ou réparation.
- Ne faites pas passer le cordon sous la moquette. Ne couvrez pas le cordon avec des tapis, des tapis de course ou des revêtements similaires. Ne faites pas passer le cordon sous des meubles ou des appareils électroménagers. Disposez le cordon loin de la zone de circulation et à un endroit où il ne risque pas de trébucher.

IV. DÉPANNAGE

1. IL Y A DE L'EAU À L'INTÉRIEUR DE MON UNITÉ

Pour bien sécher votre gonflable, éteignez tous les pulvérisateurs et dégonflez l'appareil. Videz toute l'eau stagnante de l'appareil et secouez-le. Une fois l'appareil sec, rattachiez les ventilateurs et gonflez à nouveau l'appareil avec le tube court ouvert. Votre appareil commencera à sécher de l'intérieur vers l'extérieur. Ceci est essentiel pour éviter des problèmes tels que la moisissure et pour prolonger la durée de vie de votre unité gonflable aquatique. **NE JAMAIS STOCKER DE WET.**

2. L'UNITÉ NE RESTE PAS GONFLÉE

Assurez-vous que le ventilateur est allumé, attaché au long tube du gonflable et qu'il fonctionne en continu pendant l'utilisation du gonflable. Assurez-vous que la soupape de dégonflage (tube court) est attachée pendant l'utilisation. Assurez-vous que le poids des utilisateurs ne dépasse pas les spécifications du fabricant.

3. MON GONFLABLE NE RENTRE PAS DANS SON ÉTUI

Assurez-vous que tout l'air est hors du gonflable. Pliez le gonflable tous les 24 pouces, en expulsant l'air supplémentaire. Une fois que le gonflable est plié plusieurs fois en une longue course d'environ 24 pouces de large, roulez le gonflable d'un bout à l'autre, en forme de « sac de couchage », en continuant à repousser l'excès d'air.

4. IL Y A UN TROU DE PERFORATION DANS MON GONFLABLE

La meilleure façon de réparer définitivement un trou est d'utiliser un fil solide ou une ligne de pêche pour coudre le(s) patch(s) inclus(s) sur le trou. L'utilisation de colle n'est qu'une solution à court terme et peut ne pas durer.

5. PUIS-JE LOUER MON GONFLABLE RÉSIDENTIEL ?

Nos structures gonflables résidentielles ne sont pas conçues pour la location ou un usage commercial.

6. IL Y A DE L'AIR ET/OU DES BULLES QUI SORTENT DE MON GONFLABLE

C'est normal. L'air doit s'échapper pour que le gonflable fonctionne correctement.

7. J'ENTENDS UN SIFFLEMENT

C'est normal. L'air doit s'échapper pour que le gonflable fonctionne correctement, ce qui peut provoquer un sifflement.

8. LES TOBOGGANS AQUATIQUES FONCTIONNENT-ILS À SEC ?

Les toboggans aquatiques glissent beaucoup mieux mouillés. Certains articles ont des caractéristiques qui peuvent être utilisées humides ou sèches.

9. J'AI L'IMPRESSION QUE MON PARC AQUATIQUE GASPILLE DE L'EAU

Très peu d'eau est nécessaire pour faire fonctionner les toboggans. Nos parcs aquatiques ont une restriction de débit, mais vous pouvez également ajuster votre débit d'eau au robinet du tuyau, pour laisser juste assez d'eau pour que les toboggans fonctionnent.

10. L'EAU S'ÉCHAPPE DE LA ZONE D'ÉCLABOUSSURES DE MON GONFLABLE

C'est normal.

11. PUIS-JE RANGER MON GONFLABLE À L'EXTÉRIEUR ?

Non, les conditions météorologiques détruiront votre gonflable s'il est laissé de côté. Veuillez stocker l'unité gonflable dans un endroit sec et ventilé.

12. MON VENTILATEUR NE FONCTIONNE PAS

Assurez-vous d'utiliser l'alimentation standard 110. Les ventilateurs ne fonctionnent pas sur le 220. Si votre souffleur est équipé d'un GFCI sur la prise, assurez-vous que le GFCI est allumé et non en mode test. Vérifiez votre prise pour vous assurer qu'elle est allumée.



Lesen Sie alle Anweisungen, bevor Sie dieses aufblasbare Gerät zusammenbauen, und bewahren Sie die Anweisungen für die zukünftige Verwendung auf.

WARNUNG: DIE NICHTBEACHTUNG DIESER ANWEISUNGEN KANN ZU SCHWEREN ODER TÖDLICHEN VERLETZUNGEN FÜHREN.

I. SICHERHEITSVORKEHRUNGEN

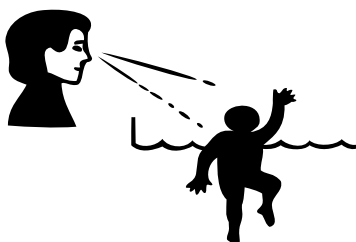
WARNUNG! Dieses Produkt sollte nur von einem kompetenten Erwachsenen aufgeblasen oder entleert werden. Nur unter Aufsicht von Erwachsenen verwenden. Befolgen Sie alle Anweisungen.

- Halten Sie das Netzkabel von Wasser fern.
- Von Feuer fernhalten. Halten Sie das Gewebe von allen Flammen- und Zündquellen frei.
- Halten Sie Kinder vom Gebläse fern. Das Gebläse ist kein Spielzeug.
- Verwenden Sie mit diesem Produkt keine Verlängerungskabel.
- Nicht bei Wind oder Regen aufstellen.
- Stellen Sie es so nah wie möglich an Stromquellen auf.
- Das Gebläse sollte vor dem Gebrauch sicher im Boden verankert werden.
- Das Produkt sollte niemals über Beton, Bürgersteige oder andere raue Oberflächen gezogen werden.
- Überprüfen Sie das Schlauchboot vor jedem Gebrauch immer auf Löcher und offene Nähte.
- Stecken Sie keine Finger, Zehen usw. in das Gebläse, da dies zu Verletzungen führen kann.
- Stecken Sie keine Fremdkörper in das Gebläse. Dies führt zu Schäden.
- Bringen Sie keine scharfen Gegenstände in den Spielbereich. Vermeiden und entfernen Sie alle Kopfbedeckungen, lose Kleidung, harte, scharfe oder gefährliche Gegenstände, wie z. B. Schmuck, Ponchos, Schals, Helme usw.
- Essen, trinken oder kauen Sie keinen Kaugummi auf dem Spielplatz.
- Wenn Sie Rutschen verwenden, schieben Sie die Füße voran, niemals den Kopf voran. Stellen Sie immer sicher, dass der Schieber frei von anderen ist, bevor Sie rutschen. Es kann jeweils nur ein Benutzer geschoben werden.
- Stehen Sie niemals auf einer Rutschplattform. Verhindern Sie, dass Kinder an den umschließenden Wänden klettern oder hängen.
- Lassen Sie das Gerät nicht aufgeblasen oder draußen stehen, wenn es nicht verwendet wird. Längere Sonneneinstrahlung oder starkes Wetter zerstören den Stoff.
- Vermeiden Sie grobes Spiel wie Saltos, Saltos, Ringen und Gymnastikbewegungen usw.
- Grobes Spielen ist gefährlich für Kinder und kann das Gerät beschädigen.
- Nicht in direkter Sonne bei Temperaturen über 90 Grad Fahrenheit verwenden. Direkte Sonneneinstrahlung kann Oberflächen zum Spielen auf unsichere Temperaturen erwärmen.
- Befestigen Sie keine Gegenstände an dem aufblasbaren Gerät, die nicht speziell für die Verwendung mit dem aufblasbaren Gerät entwickelt wurden, wie z. B. Springseile, Wäscheleinen, Haustierleinen, Kabel und Ketten, da sie eine Strangulationsgefahr darstellen können.
- Die Spieler sollten in Größe und Fähigkeiten gleich groß sein, um das Verletzungsrisiko zu minimieren.
- Klettern Sie beim Klettern auf Plattformen immer in aufrechter Position, stellen Sie die Füße in die Fußlöcher und legen Sie die Hände auf die Stützgriffe.

- Nur für den Hausgebrauch. Nur für den häuslichen Hausgebrauch im Freien bestimmt. Nicht für den Einsatz in öffentlichen Bereichen oder als Vermietung.
- Nur im Freien aufstellen, der die folgenden Kriterien erfüllt:
 - Stellen Sie es auf ebenen Boden und festes Gras oder Erde, um eine ordnungsgemäße Verwendung der Pfähle zu ermöglichen.
 - Die Pfähle sollten zur besseren Verankerung schräg platziert und unter die Erde getrieben werden, um ein Stolpern zu verhindern.
 - Mindestabstand von 2 m (6,6 ft) in jede Richtung: Platzieren Sie mindestens andere Objekte. Zu den zu vermeidenden Objekten gehören unter anderem Zäune, Gebäude und Bäume. Äste, Wäscheleinen, elektrische Leitungen, Wände oder Körper/Wasserquellen.
 - Stellen Sie sicher, dass der Bereich um das Produkt herum sicher ist, indem Sie bei Bedarf Sicherheitsbarrieren anbringen, um zu verhindern, dass kleine Kinder und Haustiere Zugang erhalten.
 - Das Netzkabel darf nicht unter den luftgefüllten Geräten (aufblasbarer Hüpfburg) geführt werden und deren Betrieb beeinträchtigen.
 - Gesamtgewichtsgrenze des Produkts: 90 kg (198 lbs)
 - Gesamtzahl der Benutzer: 3
 - Kein kopferstes Rutschen. Schieben Sie immer mit den Füßen voran.
- **WARNUNG-Befolgen Sie die Verankerungsanweisungen.**
 - Bitte verwenden Sie den Anker nicht als Spielzeug.
 - Keine Schuhe oder Brillen auf dem Produkt.
 - Anwendung unter Aufsicht von Erwachsenen.
 - Verwenden Sie kein Verlängerungskabel.
 - **WARNUNG:** Bei Nichtbeachtung der Installations- und Bedienungsanleitung besteht die Gefahr schwerer Verletzungen oder des Todes.
 - Bei Wind verboten.

WARNUNG

Ertrinken verhindern



Kinder - insbesondere Kleinkinder - sind einem hohen Risiko des Ertrinkens ausgesetzt. Beobachten Sie Kinder, die sich in oder in der Nähe dieses Konstant-Aufblas-Geräts aufhalten, genau. Leeren Sie nach dem Gebrauch das Wasser aus dem Konstant-Aufblas-Gerät.



WARNUNG

Stromschlag-Lebensgefahr -
VERWENDEN SIE KEINE
VERLÄNGERUNGSKABEL MIT
DIESEM PRODUKT.



WARNUNG

Befolgen Sie die Anweisungen zur
Verankerung. Der Benutzer muss
die Anweisungen zur Verankerung
lesen und befolgen, um
sicherzustellen, dass die Anzahl
der verwendeten Anker, die
Bodenbedingungen und die
Montage der Pföcke richtig sind.



WARNUNG



Yes



No



Yes



No

Pfahlwinkel

Beurteilung der Windgeschwindigkeit

Rutschen Sie nicht kopfüber. Immer mit den Füßen zuerst rutschen.
Auf dem aufblasbaren Gerät dürfen keine Schuhe oder Brillen
getragen werden.

Alle Einschränkungen im Zusammenhang mit der Bedienung unter
windigen Bedingungen. Beaufsichtigung durch einen Erwachsenen
empfohlen.

WARNUNG:

Bei Nichtbeachtung der Anweisungen zur Montage und Betrieb
besteht die Gefahr von schweren Verletzungen oder Tod.

Auf flachem Gras und nicht hartem Boden verwenden. Verwenden Sie
es nicht bei Wind und Regenwetter.

Die elektrische Luftpumpe darf nicht mit Wasser in Berührung
kommen. Geeignetes Alter: von 3 Jahren bis 8 Jahre alt.

- Dieses aufblasbare Gerät entspricht ASTM F2729, der Standard-
Verbrauchersicherheitspezifikation für aufblasbare Spielgeräte mit konstanter Luft für
den Heimgebrauch.
Siehe P39-P52 im Bericht "E530077-Vol1-Sec2-UL Mark Procedure".
- Die Pfähle sind gerade nach unten zu treiben, bis die Spitze des Pfahls unter der Erde
liegt. Schlagen Sie die Pfähle nicht in einem Winkel ein. Für eine optimale Haftkraft
treiben Sie die Pfähle in harten, trockenen Boden. In lockerem oder nassem Boden
oder beidem wird die Haltekraft des Pfahls verringert.
- Die maximale sichere Windgeschwindigkeit im aufgeblasenen Zustand ist Stufe 4:
- Platzbedarf: Kann auf flachem und nicht geneigtem Boden verwendet werden, nicht
auf Sand, Boden und Wasser verwenden.
- Bitte verwenden Sie zum Aufblasen das mitgelieferte Gebläse.
- Positionieren Sie das Schlauchboot auf ebenem Boden nicht weniger als 1,8 Meter von
Gebäuden oder Hindernissen wie Zäunen, Garagen, Häusern, überhängenden Ästen,
Wäscheleinen, Stromleitungen usw.
- Installieren Sie abnehmbare Geräte nicht auf Beton, Asphalt, Füllschmutz, Teppichen
oder anderen harten Oberflächen. Ein Sturz auf eine harte Oberfläche kann zu
schweren Verletzungen des Benutzers führen.
- Der Bereich, der unmittelbar an alle Ein- und Ausgänge des aufblasbaren Geräts
angrenzt, muss mit einer Nutzungszone versehen sein, die frei von Hindernissen und
mit einer Oberfläche versehen ist, um Stöße über eine Entfernung von mindestens 1,8
m (6 Fuß) abzufedern, und eine kritische Fallhöhe aufweisen, die vom Hersteller
angegeben ist.
- Um das Produkt sauber zu halten: Wischen Sie den Hüpfen oder das Gebläse mit
einem trockenen Tuch oder einem Tuch ab, das mit einer neutralen, nicht brennbaren,
ungiftigen Reinigungs- und Desinfektionslösung oder reinem Wasser angefeuchtet ist.
- Das Produkt sollte niemals nass gelagert werden. Vor dem Aufrollen trocknen lassen.
- Das Produkt sollte regelmäßig auf potenziell unsichere Bedingungen untersucht
werden, wie z. B. beschädigtes Kabel, Stecker, Gehäuse oder Teile, und dass das
Produkt im Falle eines solchen Schadens nicht verwendet werden sollte, bis es
ordnungsgemäß repariert wurde. Lassen Sie den Ventilator niemals bei Regen oder
Elementen draußen stehen, wenn er nicht verwendet wird. Kleinere Reparaturen
können mit den beiliegenden Reparaturflicken durchgeführt werden.

- Wenn sich die Oberfläche des Produkts kräuselt oder bricht, ist es stark abgenutzt und sollte repariert werden.
- Bitte stellen Sie sich seitlich vom Eingang zum Spielbereich auf, um sicherzustellen, dass alle Kinder im Spielbereich beobachtet werden können.
- Nicht bei Wind oder Regen aufstellen.
- Bringen Sie keine scharfen Gegenstände in den Spielbereich. Vermeiden und entfernen Sie alle Kopfbedeckungen, lose Kleidung, harte, scharfe oder gefährliche Gegenstände, wie z. B. Schmuck, Ponchos, Schals, Helme usw.
- Lassen Sie größere Kinder nicht mit kleineren Kindern spielen
- Vermeiden Sie grobes Spiel wie Saltos, Saltos, Ringen und Gymnastikbewegungen usw.
- Essen, trinken oder kauen Sie während des Spiels keinen Kaugummi.
- Klettern Sie nicht und hängen Sie nicht an der Schutzwand.
- Halten Sie Haustiere vom aufblasbaren Gerät fern.
- Befestigen Sie keine Gegenstände an dem aufblasbaren Gerät, die nicht speziell für die Verwendung mit dem aufblasbaren Gerät entwickelt wurden, wie z. B. Springseile, Wäscheleinen, Kabel und Ketten, da sie eine Erstickungsgefahr darstellen können.
- Bitte stellen Sie das aufblasbare Gerät auf eine ebene Fläche und festes Gras oder Erde.
- Installieren Sie einen Zaun oder eine andere zugelassene Barriere um alle Seiten des aufblasbaren Konstantluftgeräts.
- Staatliche oder lokale Gesetze oder Vorschriften können Zäune oder andere zugelassene Barrieren vorschreiben. Überprüfen Sie die staatlichen oder lokalen Gesetze und Vorschriften, bevor Sie das Constant Air Inflatable aufstellen.
- Das Ertrinken erfolgt geräuschlos und schnell. Beauftragen Sie einen Erwachsenen mit der Beaufsichtigung des Constant Air Inflatable.
- Halten Sie Kinder direkt im Blick, wenn sie sich in oder in der Nähe des Constant Air Inflatables befinden und wenn Sie das Constant Air Inflatable befüllen und entleeren.
- Wenn Sie nach einem vermissten Kind suchen, überprüfen Sie zuerst den Pool, auch wenn Sie glauben, dass Ihr Kind im Haus ist.
- Bewahren Sie ein funktionierendes Telefon und eine Liste mit Notrufnummern in der Nähe des Constant Air Inflatable auf.
- Lassen Sie sich in Herz-Lungen-Wiederbelebung (CPR) zertifizieren, damit Sie auf einen Notfall reagieren können.



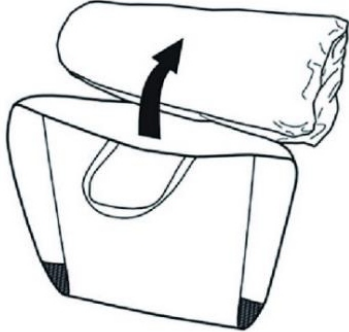
Risiko eines Stromschlags:

- Halten Sie alle elektrischen Leitungen, Radios, Lautsprecher und andere elektrische Geräte von der Constant Air Inflatable fern.
- Platzieren Sie das Constant Air Inflatable nicht in der Nähe oder unter Freileitungen.

II. INSTALLATIONSANLEITUNG

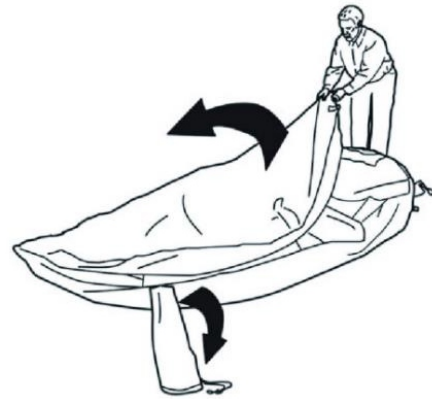
Aufstellen

1



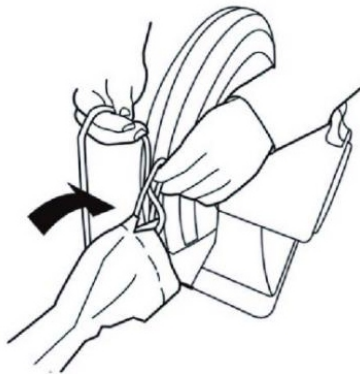
Nehmen Sie die aufblasbare Einheit heraus

2



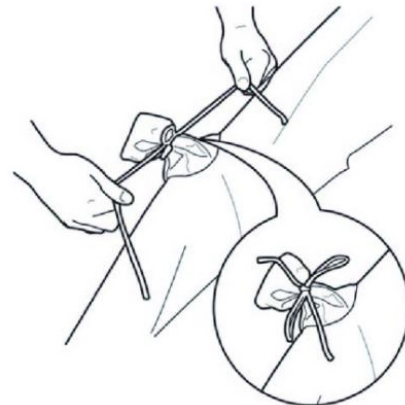
Breiten Sie sich vollständig aus und finden Sie die Position des Lufteinlassrohrs.

3



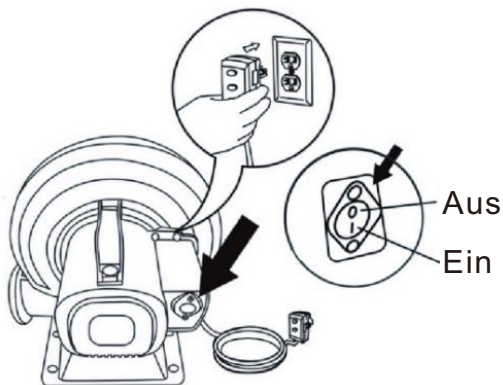
Befestigen Sie den Gewebeschlauch an der Gebläseeinheit und stellen Sie sicher, dass der Schlauch nicht verdreht ist.

4



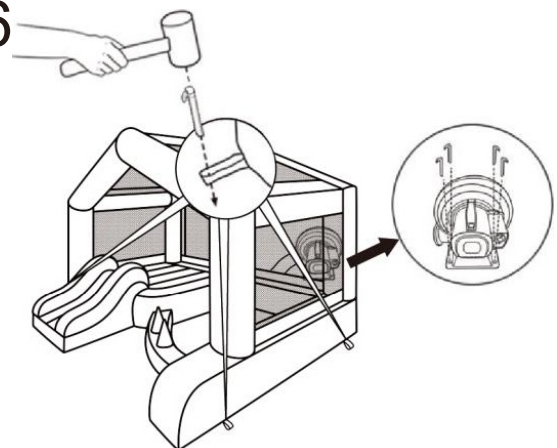
Den kurzen Schlauch wie abgebildet abbinden.

5



Schließen Sie das Gerät an und schalten Sie das Gebläse ein.

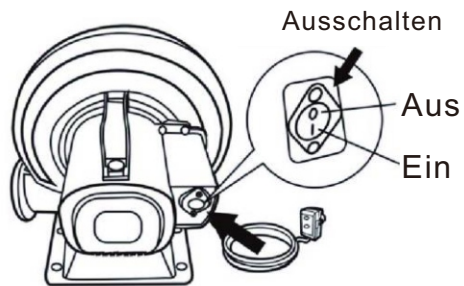
6



Verankern Sie den Hüpfier mit Pfählen.

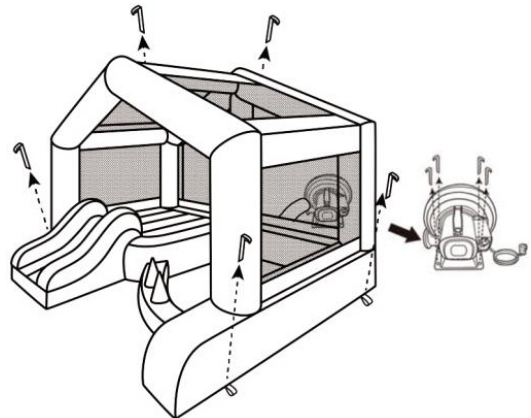
Deflation & Lagerung

1



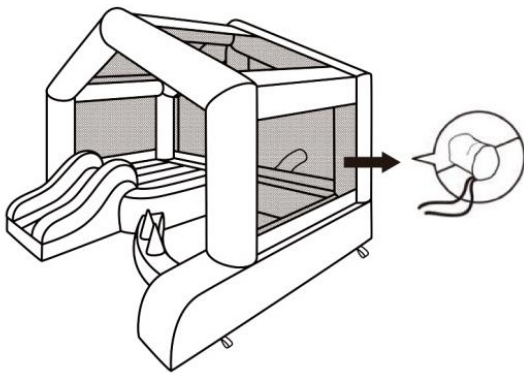
Schalten Sie das Gebläse aus und ziehen Sie den Netzstecker aus der Steckdose.

2



Ziehen Sie die Pflöcke hoch

3



Löse den Kordelzug vom Ansaugrohr und lasse die Babywippe vollständig entleeren.

4



Zusammenfalten

5



Komprimieren Sie die Luft, während Sie das Schlauchboot aufrollen.

6



In eine Aufbewahrungstasche stecken und an einem trockenen und belüfteten Ort aufbewahren.

Pflege und Erhaltungsbehandlung

Einführung in die Verwendung von Reparaturflicken



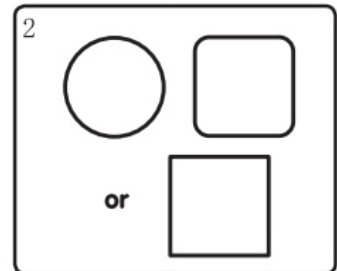
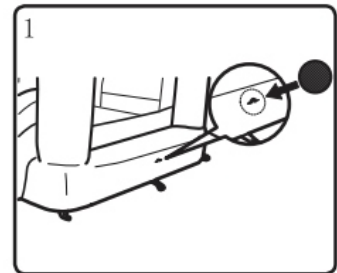
WARNUNG
KEIN SPIELZEUG. NUR FÜR
ERWACHSENE.

Achtung: Dies ist kein Spielzeug.

Kann nur von Erwachsenen bedient und verwendet werden.

Schritte zur Verwendung von Reparaturpatches:

- 1) Suchen Sie die beschädigte Stelle, reinigen Sie die Umgebung und warten Sie, bis die Stelle getrocknet ist.
- 2) Nehmen Sie den entsprechenden Farbleck heraus und schneiden Sie ihn in eine passende Form und Größe zu. (wie in den Abbildungen 1 und 2 dargestellt)
- 3) Decken Sie das Reparaturpflaster auf der beschädigten Stelle ab.
- 4) Nähen Sie das Reparaturpflaster mit der Drahtklammer um die beschädigte Stelle.



Sicherheitswarnungen: DIE NICHTBEACHTUNG DIESER ANWEISUNGEN KANN ZU SCHWEREN ODER TÖDLICHEN VERLETZUNGEN FÜHREN.



Maximale Spielerzahl: 3



Obergrenze für das
Gesamtgewicht: 90 kg
(198 Pfund)



Individuelle
Gewichtsbeschränkung
: 66 lbs (30 kg)



Maximale Einzelgröße:
5 Fuß (152 cm)



Aufsicht durch
Erwachsene
erforderlich



Alter



Keine scharfen
Gegenstände



Keine Schuhe, keine
Brille



Kein Wenden



Kein Rutschen mit dem
Kopf vorab. Schieben
Sie immer mit der
Gebühr zuerst.



Kein Wrestling



Keine Hände oder Füße
am Netz



Nicht bei Wind
verwenden



Nicht bei Regen
stehen lassen



Lassen Sie Kinder
den Lüfter oder das
Netzkabel nicht
berühren



Muss mit Pfählen
verankert werden

III. WARTUNG

Anweisungen für die Wartung des Türstehers

- Als Outdoor-Produkt unterliegt die Hüpfburg Verschleiß und Verschlechterung. Auf Anzeichen von Gewebeversagen prüfen; Schwache oder gerissene Oberflächen müssen umgehend repariert werden.
- Um das Produkt sauber zu halten: Wischen Sie die Babywippe oder das Gebläse mit einem trockenen Tuch oder einem Tuch ab, das mit einer neutralen, nicht brennbaren, ungiftigen Reinigungs- und Desinfektionslösung oder reinem Wasser angefeuchtet ist.
- Das Produkt sollte niemals nass gelagert werden. Vor dem Aufrollen trocknen lassen.
- Das Produkt sollte regelmäßig auf potenziell unsichere Bedingungen untersucht werden, wie z. B. beschädigtes Kabel, Stecker, Gehäuse oder Teile, und dass das Produkt im Falle eines solchen Schadens nicht verwendet werden sollte, bis es ordnungsgemäß repariert wurde. Lassen Sie den Ventilator niemals bei Regen oder Elementen draußen stehen, wenn er nicht verwendet wird. Kleinere Reparaturen können mit den beiliegenden Reparaturflicken durchgeführt werden.

Anweisungen für die Wartung des Gebläses

- Das Gebläse muss vor der Wartung vom Stromnetz getrennt werden.
- Das Produkt sollte regelmäßig auf potenziell unsichere Bedingungen wie beschädigte Kabel, Stecker, Gehäuse oder Teile untersucht werden und dass das Produkt im Falle eines solchen Schadens erst nach ordnungsgemäßer Reparatur verwendet werden sollte. Werden diese Kontrollen nicht durchgeführt, könnte das Produkt umkippen oder anderweitig zu einer Gefahr werden.
- Das Gebläse benötigt keine Schmierung und hat keine vom Benutzer zu wartenden Teile. Versuchen Sie nicht, das Gebläse zu warten.
- Tauchen Sie den Lüfter nicht in Wasser. Zum Reinigen mit einem feuchten Tuch abwischen.
- Kontrollieren Sie regelmäßig die Ein- und Auslauföffnungen und halten Sie sie frei von Schmutz, Laub etc.
- Lagern Sie das Gebläse bei Nichtgebrauch drinnen an einem trockenen Ort.
- Lagern Sie das Gebläse aufrecht auf einer stabilen Unterlage.
- Wickeln Sie das Kabel locker auf und legen Sie es neben das Gebläse.
- Platzieren Sie das Kabel während des Gebrauchs nicht über Verkehrsflächen, Wasser oder Feuchträume.
- Das Gebläse ist ein großvolumiges Gebläse und in der Lage, große Luftmengen sehr schnell zu bewegen. Stellen Sie das Gebläse an einem Ort auf, an dem es keinen Schmutz oder Laub aufnimmt.
- Betreiben Sie keinen Lüfter mit einem beschädigten Kabel oder Stecker. Entsorgen Sie den Lüfter oder senden Sie ihn zur Überprüfung und/oder Reparatur an eine autorisierte Servicewerkstatt zurück.
- Verlegen Sie das Kabel nicht unter Teppichboden. Decken Sie das Kabel nicht mit Teppichen, Läufern oder ähnlichen Abdeckungen ab. Verlegen Sie das Kabel nicht unter Möbeln oder Geräten. Verlegen Sie das Kabel außerhalb des Verkehrsbereichs und an einem Ort, an dem es nicht gestolpert wird.

IV. FEHLERBEHEBUNG

1. IN MEINEM GERÄT BEFINDET SICH WASSER

Um Ihr Schlauchboot gründlich zu trocknen, schalten Sie alle Sprühgeräte aus und lassen Sie die Luft aus dem Gerät. Schütteln Sie das gesamte stehende Wasser aus dem Gerät und schütteln Sie es trocken. Sobald das Gerät trocken ist, bringen Sie die Gebläse wieder an und blasen Sie das Gerät bei geöffnetem kurzen Schlauch wieder auf. Ihr Gerät beginnt von innen nach außen zu trocknen. Dies ist entscheidend, um Probleme wie Schimmel und Mehltau zu vermeiden und die Lebensdauer Ihrer wasseraufblasbaren Einheit zu verlängern. **LAGERN SIE NIEMALS WE.**

2. DAS GERÄT BLEIBT NICHT AUFGEBLASEN

Stellen Sie sicher, dass das Gebläse eingeschaltet ist, am langen Schlauch des Schlauchboots befestigt ist und kontinuierlich läuft, während das Schlauchboot verwendet wird. Stellen Sie sicher, dass das Entleerungsventil (kurzer Schlauch) während des Gebrauchs zugebunden ist. Stellen Sie sicher, dass das Gewicht der Benutzer die Herstellerspezifikationen nicht überschreitet.

3. MEIN AUFBLASBARES GERÄT PASST NICHT IN SEIN GEHÄUSE

Stellen Sie sicher, dass die gesamte Luft aus dem Schlauchboot entweicht. Falten Sie das aufblasbare Gerät alle 24 Zoll um und drücken Sie zusätzliche Luft heraus. Sobald das Schlauchboot mehrmals zu einem langen Lauf von ca. 24 Zoll Breite zusammengeklappt ist, rollen Sie das Schlauchboot von einem Ende zum anderen in eine "Schlafsackform" und drücken Sie weiterhin überschüssige Luft heraus.

4. IN MEINEM AUFBLASBOOT BEFINDET SICH EIN EINSTICHLOCH

Der beste Weg, ein Loch dauerhaft zu flicken, besteht darin, einen starken Faden oder eine Angelschnur zu verwenden, um die mitgelieferten Flicker über das Loch zu nähen. Die Verwendung von Klebstoff ist nur eine kurzfristige Lösung und kann nicht von Dauer sein.

5. KANN ICH MEINE WOHN-HÜPFBURG VERMIETEN?

Unsere Hüpfburgen für Privathaushalte sind nicht für die Vermietung oder gewerbliche Nutzung konzipiert.

6. ES KOMMT LUFT UND/ODER BLASEN AUS MEINEM AUFBLASBOOT

Das ist normal. Die Luft muss entweichen, damit das Schlauchboot ordnungsgemäß funktioniert.

7. ICH HÖRE EIN ZISCHENDES GERÄUSCH

Das ist normal. Damit das Schlauchboot ordnungsgemäß funktioniert, muss Luft entweichen, was zu einem zischenden Geräusch führen kann.

8. FUNKTIONIEREN WASSERRUTSCHEN TROCKEN?

Wasserrutschen gleiten nass viel besser. Einige Artikel haben Funktionen, die nass oder trocken verwendet werden können.

9. ICH HABE DAS GEFÜHL, DASS MEIN WASSERPARK WASSER VERSCHWENDET

Es wird nur sehr wenig Wasser benötigt, damit die Rutschen funktionieren. Unsere Wasserparks haben eine Durchflussbeschränkung, aber Sie können Ihren Wasserfluss auch am Schlauchhahn anpassen, damit gerade genug Wasser für die Rutschen funktioniert.

10. WASSER TRITT AUS DEM SPRITZBEREICH MEINES SCHLAUCHBOOTS AUS

Das ist normal.

11. KANN ICH MEIN AUFBLASBARES BOOT DRAUSSEN LAGERN?

Nein, die Wetterbedingungen zerstören Ihr Hüpfburg, wenn es draußen gelassen wird. Bitte lagern Sie das aufblasbare Gerät an einem trockenen und belüfteten Ort.

12. MEIN GEBLÄSE FUNKTIONIERT NICHT

Stellen Sie sicher, dass Sie die Standardleistung 110 verwenden. Die Gebläse funktionieren bei 220 nicht. Wenn Ihr Gebläse mit einem FI-Schutzschalter am Stecker ausgestattet ist, stellen Sie sicher, dass der FI-Schutzschalter eingeschaltet ist und sich nicht im Testmodus befindet. Überprüfen Sie Ihre Steckdose, um sicherzustellen, dass sie eingeschaltet ist.

Lea todas las instrucciones antes de ensamblar este dispositivo inflable y guarde las instrucciones para usarlo en el futuro.

ADVERTENCIA: EL INCUMPLIMIENTO DE ESTAS INSTRUCCIONES PODRÍA PROVOCAR LESIONES GRAVES O LA MUERTE.

I. PRECAUCIONES DE SEGURIDAD

¡ADVERTENCIA! Este producto debe ser inflado o desinflado solo por un adulto competente. Úselo solo bajo la supervisión de un adulto. Siga todas las instrucciones proporcionadas.

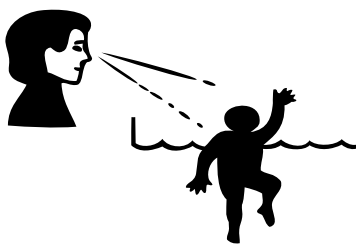
- Mantenga el cable de alimentación alejado del agua.
- Mantener alejado del fuego. Mantenga la tela alejada de todas las llamas y fuentes de ignición.
- Mantenga a los niños alejados del soplador. El soplador no es un juguete.
- No utilice cables de extensión con este producto.
- No lo instale en condiciones de viento o lluvia.
- Configúrelo lo más cerca posible de las fuentes de alimentación.
- El soplador debe estar firmemente anclado al suelo antes de su uso.
- El producto nunca debe arrastrarse sobre hormigón, pavimento u otras superficies rugosas.
- Siempre inspeccione el inflable en busca de agujeros y costuras abiertas antes de cada uso.
- No inserte los dedos de las manos, los pies, etc. en el soplador, ya que puede causar lesiones.
- No inserte objetos extraños en el soplador. Esto causará daños.
- No introduzca objetos afilados en el área de juego. Evite y quítese todos los accesorios de la cabeza, ropa holgada, objetos duros, afilados o peligrosos, como, entre otros: joyas, ponchos, bufandas, cascos, etc.
- No coma, beba ni mastique chicle en el área de juego.
- Cuando use toboganes, deslice los pies primero, nunca la cabeza primero. Siempre asegúrese de que el tobogán esté alejado de los demás antes de deslizarse. Solo un usuario puede deslizarse a la vez.
- Nunca se pare en una plataforma deslizante. Evite que los niños trepen o se cuelguen de las paredes de contención.
- No deje la unidad inflada o afuera cuando no esté en uso. La exposición prolongada al sol o al clima fuerte destruirá la tela.
- Evite los juegos bruscos, como saltos mortales, volteretas, movimientos de lucha y gimnasia, etc.
- El juego brusco es peligroso para los niños y puede dañar la unidad.
- No lo use bajo el sol directo a temperaturas superiores a 90 grados Fahrenheit. La exposición directa al sol puede calentar las superficies a temperaturas inseguras para jugar.
- No adjunte al dispositivo inflable artículos que no estén diseñados específicamente para su uso con el dispositivo inflable, como, entre otros, cuerdas para saltar, tendedero, correas para mascotas, cables y cadenas, ya que tienen el potencial de causar un peligro de estrangulación.
- Los jugadores deben estar emparejados en tamaño y habilidades, para minimizar el riesgo de lesiones.
- Al subir a las plataformas, suba siempre en posición vertical, colocando los pies en los agujeros para los pies y colocando las manos en las manijas de soporte.

- Solo para uso doméstico. Diseñado solo para uso familiar doméstico al aire libre. No debe usarse en áreas públicas ni como alquiler.
- Configuración solo en exteriores que cumpla con los siguientes criterios:
 - Colóquelo en un terreno nivelado y firme o en tierra para permitir el uso adecuado de las estacas.
 - Las estacas deben colocarse en ángulo para un mejor anclaje, deben clavarse bajo el suelo para evitar tropiezos.
 - Zonas de espacio libre mínimo de 6,6 pies (2 m) en cualquier dirección: Coloque al menos otros objetos. Los objetos que se deben evitar incluyen, entre otros, cercas, edificios, árboles. Ramas aéreas, tendedores de ropa, cables eléctricos, paredes o cuerpos/fuentes de agua.
 - Asegúrese de que el área alrededor del producto sea segura agregando barreras de seguridad, si es necesario, para evitar que los niños pequeños y las mascotas tengan acceso.
 - El cable eléctrico no debe pasar por debajo de los dispositivos llenos de aire (hamaca inflable) e interferir con su funcionamiento.
 - Límite de peso total del producto: 90 kg (198 libras)
 - Número total de usuarios: 3
 - Sin deslizamiento de la cabeza. Siempre deslízate con los pies por delante.
- **ADVERTENCIA-Siga las instrucciones de anclaje.**
- Por favor, no utilice el ancla como un juguete.
- No hay zapatos ni gafas en el producto.
- Uso bajo supervisión de un adulto.
- No utilice el cable de extensión.
- **ADVERTENCIA:** El incumplimiento de las instrucciones de instalación y funcionamiento presenta un riesgo de lesiones graves o la muerte.
- Prohibido en condiciones de viento.



ADVERTENCIA

Prevenga el ahogamiento



Los niños, especialmente los más pequeños, corren un alto riesgo de ahogarse. Preste mucha atención a los niños que se encuentren dentro o cerca de este castillo hinchable de inflado constante.

Drene el agua del castillo hinchable de inflado constante después de su uso.



ADVERTENCIA

Peligro de electrocución: NO UTILICE CABLES DE EXTENSIÓN CON ESTE PRODUCTO.



ADVERTENCIA

Seguir las Instrucciones de Anclaje: El usuario debe leer y seguir todas las instrucciones de anclaje para garantizar la cantidad adecuada de anclajes utilizados, las condiciones del suelo y la instalación de estacas.



ADVERTENCIA



Yes

Ángulo de Estaca



No



Yes

Juicio de la velocidad del viento



No

No deslice con el cabezal primero. Siempre deslice con los pies primero.
No se deben usar zapatos ni gafas en el castillo hinchable.
Restrinja cualquier operación relacionada en condiciones de viento.
Se recomienda la supervisión de un adulto.

ADVERTENCIA:

El incumplimiento de las instrucciones de instalación y funcionamiento puede provocar riesgo de lesiones graves o la muerte.

Utilícelo en césped plano y terreno no duro. No lo utilice en climas ventosos y lluviosos.

No permita que la bomba de aire con cable eléctrico entre en contacto con el agua.

Rango de edad adecuado: de 3 años a 8 años.

- Este dispositivo inflable cumple con ASTM F2729, Especificación estándar de seguridad del consumidor para dispositivos de juego inflables de aire constante para uso doméstico.
Consulte P39-P52 en el informe "Procedimiento de marca E530077-Vol1-Sec2-UL".
- Las estacas deben clavarse hacia abajo hasta que la parte superior de la estaca esté por debajo del nivel del suelo. No coloque estacas en ángulo. Para obtener la mejor fuerza de sujeción, clave las estacas en suelo duro y seco. En suelo suelto o húmedo, o ambos, la fuerza de sujeción de la estaca se reducirá.
- La velocidad máxima segura del viento mientras está inflado es de nivel 4:
- Requisito de espacio operativo: se puede usar en terrenos planos y no inclinados, no lo use en suelo arenoso y agua.
- Utilice el soplador suministrado para el inflado.
- Coloque el inflable en un terreno nivelado a no menos de 1,8 metros de edificios u obstáculos como cercas, garajes, casas, ramas colgantes, líneas de lavandería, líneas eléctricas, etc.
- No instale equipos removibles sobre concreto, asfalto, tierra de relleno, alfombras o cualquier otra superficie dura. Una caída sobre una superficie dura puede causar lesiones graves al usuario.
- El área inmediatamente adyacente a todas las entradas y salidas del dispositivo inflable debe estar provista de una zona de uso que esté libre de obstrucciones y con una superficie para amortiguar los impactos a una distancia de al menos 1.8 m (6 pies) e incluirá una altura de caída crítica según lo especificado por el fabricante.
- Para mantener el producto limpio: limpie la hamaca o el soplador con un paño seco o un paño humedecido con una solución de limpieza y desinfección neutra, no inflamable, no tóxica o agua pura.
- El producto nunca debe almacenarse mojado. Deje secar antes de enrollar.
- El producto debe examinarse periódicamente para detectar condiciones potencialmente inseguras, tales como: cable, enchufe, carcasa o piezas dañadas, y que en caso de que se encuentren dichos daños, el producto no debe usarse hasta que se repare adecuadamente. Nunca deje el ventilador afuera bajo la lluvia o elementos cuando no esté en uso. Se pueden realizar reparaciones menores utilizando los parches de reparación adjuntos.

- Si la superficie del producto se frunce o se rompe, está muy desgastado y debe ser reparado.
- Párese a un lado de la entrada al área de juegos para asegurarse de que todos los niños en el área de juegos puedan ser observados.
- No se instale en condiciones de viento o lluvia.
- No introduzca objetos punzantes en el área de juego. Evite y quítese todos los accesorios de la cabeza, ropa holgada, objetos duros, afilados o peligrosos, como, entre otros: joyas, ponchos, bufandas, cascos, etc.
- No permita que los niños más grandes jueguen con los más pequeños.
- Evite los juegos bruscos, como saltos mortales, volteretas, movimientos de lucha y gimnasia, etc.
- No coma, beba ni mastique chicle mientras juega.
- No trepar ni colgarse de la pared del refugio.
- Mantenga a las mascotas alejadas del dispositivo inflable.
- No sujete al dispositivo inflable artículos que no estén diseñados específicamente para su uso con el dispositivo inflable, como cuerdas para saltar, tendedores, correas para mascotas, cables y cadenas, ya que pueden representar un peligro de asfixia.
- Coloque la unidad inflable sobre una superficie plana y césped o tierra firme.
- Instale cercas u otra barrera aprobada alrededor de todos los lados del inflable de aire constante.
- Las leyes o códigos estatales o locales pueden requerir cercas u otras barreras aprobadas. Consulte las leyes y códigos estatales o locales antes de configurar el inflable Constant Air.
- El ahogamiento se produce de forma silenciosa y rápida. Asigne a un adulto para que supervise el inflable de aire constante.
- Mantenga a los niños a su vista directa cuando estén dentro o cerca del inflable de aire constante y cuando esté llenando y vaciando el inflable de aire constante.
- Cuando busque a un niño desaparecido, revise primero la piscina, incluso si cree que su hijo está en la casa.
- Mantenga un teléfono que funcione y una lista de números de emergencia cerca del inflable Constant Air.
- Certifícate en reanimación cardiopulmonar (RCP) para que puedas responder a una emergencia.



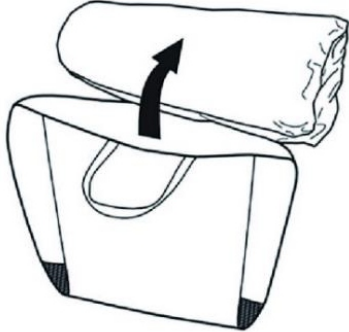
Riesgo de electrocución:

- Mantenga todas las líneas eléctricas, radios, parlantes y otros dispositivos eléctricos alejados del inflable de aire constante.
- No coloque el inflable de aire constante cerca o debajo de líneas eléctricas aéreas.

II. GUÍA DE INSTALACIÓN

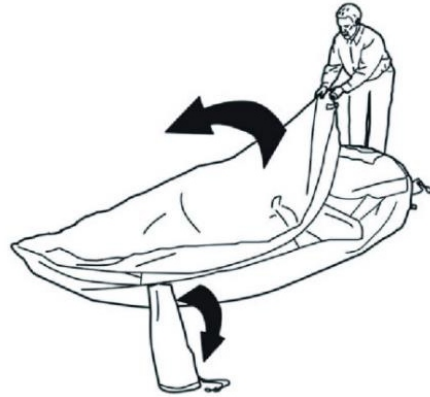
Construir

1



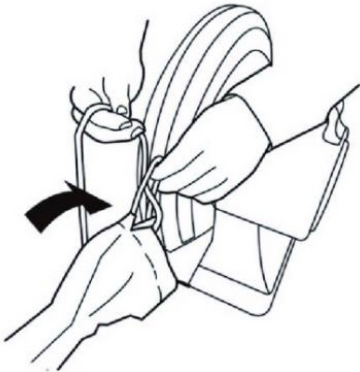
Saca la unidad inflable

2



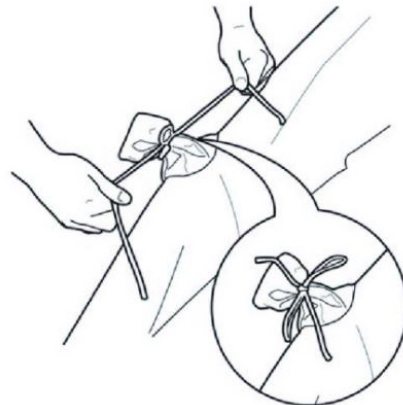
Extiéndalo completamente y encuentre la posición del tubo de entrada de aire.

3



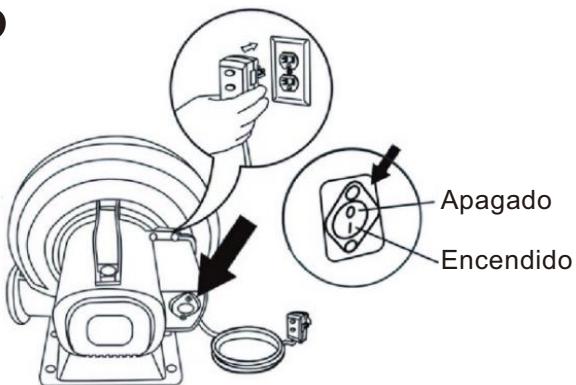
Conecte el tubo de tela a la unidad del soplador asegurándose de que el tubo no esté retorcido.

4



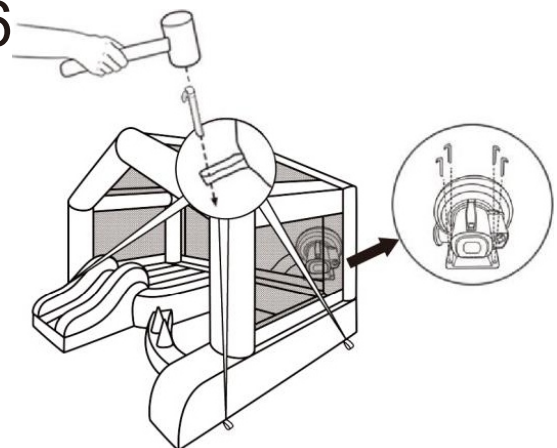
Ata el tubo corto como se muestra.

5



Enchufe la alimentación y encienda el soplador.

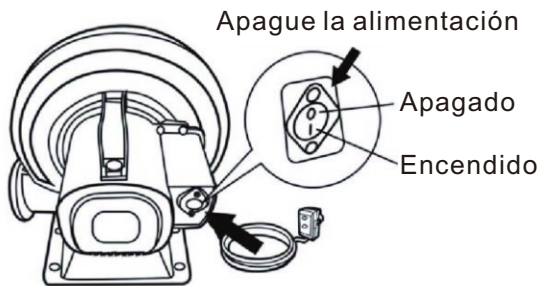
6



Ancla el gorila con estacas.

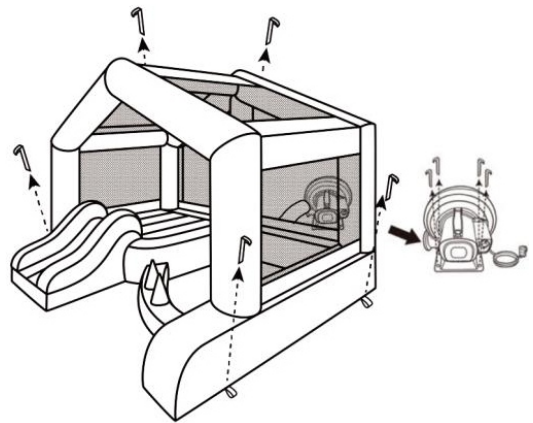
Deflación y almacenamiento

1



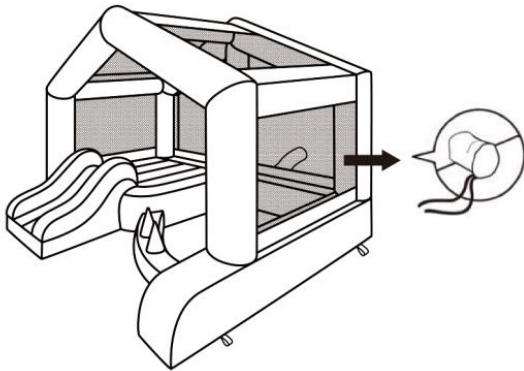
Apague el soplador y desconéctelo del tomacorriente.

2



Sube las apuestas

3



Desate el cordón del tubo de admisión y deje que la hamaca se desinfe por completo.

4



Plegado hacia arriba

5



Comprima el aire mientras enrolla el inflable.

6



Coloque en una bolsa de almacenamiento y guárdelo en un lugar seco y ventilado.

Tratamiento de cuidado y mantenimiento

Introducción al uso de parches de reparación

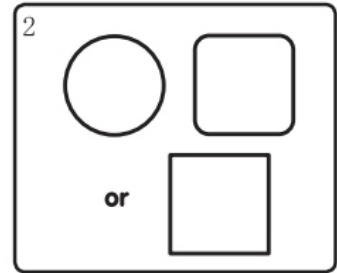
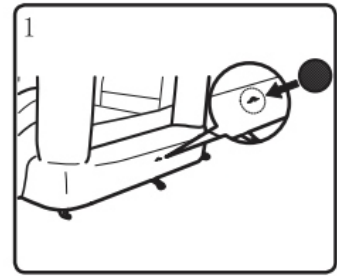


ADVERTENCIA
NO ES UN JUGUETE. SOLO PARA ADULTOS.

Advertencia: Esto no es un juguete.

Solo puede ser operado y utilizado por adultos. Pasos para usar parches de reparación:

- 1) Encuentre el área dañada, limpie el área circundante y espere a que el área se seque.
- 2) Saca el parche de color correspondiente y córtalo en una forma y tamaño adecuados. (como se muestra en las Figuras 1 y 2)
- 3) Cubra el parche de reparación de cortes en el área dañada.
- 4) Use el clip de alambre para coser el parche de reparación alrededor del área dañada.



Advertencias de seguridad: EL INCUMPLIMIENTO DE ESTAS INSTRUCCIONES PODRÍA RESULTAR EN LESIONES GRAVES O LA MUERTE.



Jugador máximo: 3



Límite de peso total:
198 libras (90 kg)



Límite de peso individual:
66 libras (30 kg)



Altura máxima individual:
5 pies (152 cm)



Se requiere la supervisión de un adulto



Edad



Sin objetos punzantes



Sin zapatos, sin gafas



Sin voltear.



No hay deslizamiento de cabeza. Siempre deslízate primero en la tarifa.



Nada de lucha libre



Sin manos ni pies en la red



No lo use en condiciones de viento



No dejar afuera cuando llueve



No permita que los niños toquen el ventilador o el cable eléctrico



Debe estar anclado con estacas

III. MANTENIMIENTO

Instrucciones para el mantenimiento de la hamaca

- Como producto para exteriores, la casa inflable está sujeta a desgaste y deterioro. Inspeccione en busca de signos de falla de la tela; Las superficies débiles o rasgadas deben repararse de inmediato.
- Para mantener el producto limpio: limpie la hamaca o el soplador con un paño seco o un paño humedecido con una solución de limpieza y desinfección neutra, no inflamable y no tóxica o agua pura.
- El producto nunca debe almacenarse mojado. Deje secar antes de enrollar.
- El producto debe examinarse periódicamente para detectar condiciones potencialmente inseguras, tales como: cable, enchufe, carcasa o piezas dañadas, y que, en caso de que se encuentren dichos daños, el producto no debe usarse hasta que se repare adecuadamente. Nunca deje el ventilador afuera bajo la lluvia o elementos cuando no esté en uso. Se pueden realizar reparaciones menores utilizando los parches de reparación adjuntos.

Instrucciones para el mantenimiento del soplador

- El soplador debe estar desenchufado antes de realizar el mantenimiento.
- El producto debe examinarse periódicamente para detectar condiciones potencialmente inseguras, como cables, enchufes, carcasas o piezas dañados, y que, en caso de que se encuentren dichos daños, el producto no debe usarse hasta que se repare adecuadamente. Si no se llevan a cabo estos controles, el producto podría volcarse o convertirse en un peligro.
- El soplador no requiere lubricación y no tiene piezas reparables por el usuario. No intente reparar el soplador.
- No sumerja el ventilador en agua. Para limpiar, limpie con un paño húmedo.
- Revise regularmente las aberturas de entrada y salida y manténgalas libres de suciedad, hojas, etc.
- Cuando no esté en uso, guarde el soplador en el interior en un lugar seco.
- Guarde el soplador en posición vertical sobre una superficie estable.
- Enrolle el cable sin apretar y colóquelo al lado del soplador.
- Cuando esté en uso, no coloque el cable sobre áreas de tráfico, agua o áreas húmedas.
- El soplador es un soplador de alto volumen y es capaz de mover grandes volúmenes de aire muy rápidamente. Coloque el soplador en un área donde no absorba suciedad ni hojas.
- No opere ningún ventilador con un cable o enchufe dañado. Deseche el ventilador o devuélvalo a un centro de servicio autorizado para que lo examinen y/o lo reparen.
- No pase el cable por debajo de la alfombra. No cubra el cable con alfombras, corredores o cubiertas similares. No coloque el cable debajo de muebles o electrodomésticos. Coloque el cable lejos del área de tráfico y donde no se pueda tropezar.

IV. SOLUCIÓN DE PROBLEMAS

1. HAY AGUA DENTRO DE MI UNIDAD

Para secar completamente su inflable, apague todos los rociadores y desinfle la unidad. Vierta toda el agua estancada de la unidad y sacúdala para secar. Una vez que la unidad esté seca, vuelva a colocar los sopladores y vuelva a inflar la unidad con el tubo corto abierto. Su unidad comenzará a secarse de adentro hacia afuera. Esto es fundamental para evitar problemas como el moho y los hongos, y para prolongar la vida útil de su unidad inflable acuática. **NUNCA LO ALMACENE MOJADO.**

2. LA UNIDAD NO SE MANTIENE INFLADA

Asegúrese de que el soplador esté encendido, conectado al tubo largo del inflable y funcionando continuamente mientras se usa el inflable. Asegúrese de que la válvula de desinflado (tubo corto) esté cerrada durante el uso. Asegúrese de que el peso de los usuarios no exceda las especificaciones del fabricante.

3. MI INFLABLE NO CABE EN SU ESTUCHE

Asegúrese de que todo el aire esté fuera del inflable. Pliega el inflable cada 24 pulgadas, presionando el aire extra. Una vez que el inflable se pliega varias veces en una carrera larga de aproximadamente 24 "de ancho, enrolle el inflable de un extremo al otro, en forma de "saco de dormir", continuando expulsando el exceso de aire.

4. HAY UN AGUJERO DE PERFORACIÓN EN MI INFLABLE

La mejor manera de parchear permanentemente un agujero es usar hilo fuerte o hilo de pescar para coser los parches incluidos sobre el agujero. El uso de pegamento es solo una solución a corto plazo y puede no durar.

5. ¿PUEDO ALQUILAR MI INFLABLE RESIDENCIAL?

Nuestros inflables residenciales no están diseñados para alquiler o uso comercial.

6. HAY AIRE Y/O BURBUJAS SALIENDO DE MI INFLABLE

Esto es normal. El aire debe escapar para que el inflable funcione correctamente.

7. ESCUCHO UN SILBIDO

Esto es normal. El aire debe escapar para que el inflable funcione correctamente, lo que puede causar un silbido.

8. ¿LOS TOBOGANES DE AGUA FUNCIONAN EN SECO?

Los toboganes acuáticos se deslizan mucho mejor mojados. Algunos artículos tienen características que se pueden usar húmedos o secos.

9. SIENTO QUE MI PARQUE ACUÁTICO DESPERDICIA AGUA

Se requiere muy poca agua para que los toboganes funcionen. Nuestros parques acuáticos tienen restricción de flujo, pero también puede ajustar el flujo de agua en el grifo de la manguera, para permitir que haya suficiente agua para que los toboganes funcionen.

10. EL AGUA SE ESCAPA DE LA ZONA DE SALPICADURAS DE MI HINCHABLE

Esto es normal.

11. ¿PUEDO GUARDAR MI INFLABLE EN EL EXTERIOR?

No, las condiciones climáticas destruirán su inflable si se deja fuera. Guarde la unidad inflable en un lugar seco y ventilado.

12. MI SOPLADOR NO FUNCIONA

Asegúrese de que está utilizando la alimentación estándar 110. Los sopladores no funcionan en 220. Si su soplador está equipado con un GFCI en el enchufe, asegúrese de que el GFCI esté encendido, no en modo de prueba. Revise su tomacorriente para asegurarse de que esté encendido.

Leggere tutte le istruzioni prima di assemblare questo dispositivo gonfiabile e conservare le istruzioni per un uso futuro.

ATTENZIONE: IL MANCATO RISPETTO DI QUESTE ISTRUZIONI PUÒ CAUSARE LESIONI GRAVI O MORTALI.

I. PRECAUZIONI DI SICUREZZA

AVVERTIMENTO! Questo prodotto deve essere gonfiato o sgonfiato solo da un adulto competente. Utilizzare solo sotto la supervisione di un adulto. Segui tutte le istruzioni fornite.

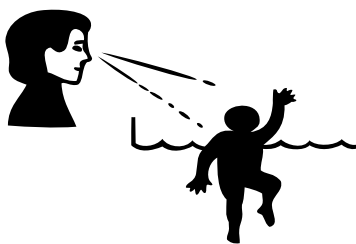
- Tenere il cavo di alimentazione lontano dall'acqua.
- Tenere lontano dal fuoco. Tenere il tessuto lontano da tutte le fiamme e fonti di accensione.
- Tenere i bambini lontani dal soffiatore. Il soffiatore non è un giocattolo.
- Non utilizzare prolunghe con questo prodotto.
- Non installare in condizioni di vento o pioggia.
- Installare il più vicino possibile alle fonti di alimentazione.
- Il soffiatore deve essere saldamente ancorato al suolo prima dell'uso.
- Il prodotto non deve mai essere trascinato su cemento, pavimentazione o altre superfici ruvide.
- Ispezionare sempre il gonfiabile per verificare la presenza di fori e cuciture aperte prima di ogni utilizzo.
- Non inserire le dita delle mani, dei piedi, ecc. nel soffiatore, altrimenti potrebbero verificarsi lesioni.
- Non inserire oggetti estranei nel soffiatore. Ciò causerà danni.
- Non portare oggetti appuntiti nell'area di gioco. Evitare e rimuovere tutti i copricapo, gli indumenti larghi, gli oggetti duri, taglienti o pericolosi, come, a titolo esemplificativo ma non esaustivo: gioielli, poncho, sciarpe, caschi, ecc.
- Non mangiare, bere o masticare gomme nell'area giochi.
- Quando si utilizzano le diapositive, far scorrere prima i piedi, mai prima la testa. Assicurarsi sempre che lo scorrimento sia libero da altri prima di scivolare. Può scorrere un solo utente alla volta.
- Non alzarsi mai sulla piattaforma dello scivolo. Evitare che i bambini si arrampichino o si appendano alle pareti di contenimento.
- Non lasciare l'unità gonfia o all'esterno quando non è in uso. L'esposizione prolungata al sole o alle intemperie distruggerà il tessuto.
- Evita giochi violenti, come capriole, salti mortali, mosse di wrestling e ginnastica, ecc.
- Il gioco brusco è pericoloso per i bambini e può danneggiare l'unità.
- Non utilizzare al sole diretto a temperature superiori a 90 gradi Fahrenheit. L'esposizione diretta al sole può riscaldare le superfici a temperature non sicure per il gioco.
- Non collegare al dispositivo gonfiabile oggetti che non siano specificamente progettati per l'uso con il dispositivo gonfiabile, come, a titolo esemplificativo ma non esaustivo, corde per saltare, stendibiancheria, guinzagli per animali domestici, cavi e catene in quanto potrebbero causare un rischio di strangolamento.
- I giocatori dovrebbero essere uguali in termini di dimensioni e abilità, per ridurre al minimo il rischio di infortuni.
- Quando si sale sulle piattaforme, arrampicarsi sempre in posizione verticale, posizionando i piedi nei fori dei piedi e posizionando le mani sulle maniglie di supporto.

- Solo per uso domestico. Destinato esclusivamente all'uso domestico all'aperto per la famiglia. Non per l'uso in aree pubbliche o come noleggio.
- Allestimento solo in location all'aperto che soddisfi i seguenti criteri:
 - Posizionare su un terreno pianeggiante e solido sull'erba o sul terreno per consentire un corretto utilizzo dei paletti.
 - I picchetti devono essere posizionati ad angolo per un migliore ancoraggio, devono essere conficcati sotto terra per evitare di inciampare.
 - Zone di distanza minima di 6,6 piedi (2 m) in qualsiasi direzione: posizionare almeno altri oggetti. Gli oggetti da evitare includono, a titolo esemplificativo ma non esaustivo, recinzioni, edifici, alberi. Rami aerei, linee di biancheria, cavi elettrici, pareti o specchi/fonti d'acqua.
 - Assicurarsi che l'area intorno al prodotto sia sicura aggiungendo barriere di sicurezza, se necessario, per impedire l'accesso a bambini piccoli e animali domestici.
 - Il cavo elettrico non deve essere fatto passare sotto i dispositivi ad aria (sdraietta gonfiabile) e interferire con il suo funzionamento.
 - Limite di peso totale del prodotto: 90 kg (198 libbre)
 - Numero totale di utenti: 3
 - Nessuno scivolamento della testa. Far scorrere sempre i piedi per primi.
- **ATTENZIONE-Seguire le istruzioni di ancoraggio.**
 - Si prega di non utilizzare l'ancora come un giocattolo.
 - Niente scarpe o occhiali sul prodotto.
 - Utilizzare sotto la supervisione di un adulto.
 - Non utilizzare prolunghie.
 - **ATTENZIONE:** La mancata osservanza delle istruzioni di installazione e funzionamento presenta un rischio di lesioni gravi o mortali.
 - Vietato in caso di vento.



AVVERTENZA

Prevenzione dell'annegamento



I bambini, soprattutto i più piccoli, corrono un alto rischio di annegamento. Sorvegliare attentamente i bambini che si trovano all'interno o nelle vicinanze del dispositivo gonfiabile con pompa ad aria costante. Svuotare l'acqua dal gonfiabile con pompa ad aria costante dopo l'uso.

AVVERTENZA

Pericolo di elettrocuzione: **NON UTILIZZARE PROLUNGHE CON QUESTO PRODOTTO.**

AVVERTENZA

Seguire le istruzioni di ancoraggio. L'utente deve leggere e seguire le istruzioni di ancoraggio per garantire il corretto numero di picchetti utilizzati, verificare le condizioni del terreno e lo stato dell'installazione dei picchetti.

AVVERTENZA



Yes



No



Yes



No

Angolo del Piquetto

Giudicare la velocità del vento

Non scivolare a testa in giù. Scivolare sempre con i piedi per primi. Non è consentito indossare scarpe o occhiali mentre ci si trova sul dispositivo gonfiabile. Implementare eventuali restrizioni in caso di vento. Si consiglia la supervisione di un adulto.

AVVERTENZA:

La mancata osservanza delle istruzioni di installazione e funzionamento comporta il rischio di lesioni personali gravi o morte. Utilizzare su erba piatta e terreni non duri. Non utilizzare in caso di vento e pioggia.

Non lasciare che l'acqua e il cavo della pompa ad aria entrino in contatto. Fascia d'età adatta: da 3 anni a 8 anni.

- Questo dispositivo gonfiabile è conforme a ASTM F2729, specifiche standard di sicurezza dei consumatori per dispositivi di gioco gonfiabili ad aria costante per uso domestico.
Fare riferimento a P39-P52 nel rapporto "E530077-Vol1-Sec2-UL Mark Procedure".
- I paletti devono essere piantati verso il basso fino a quando la parte superiore del paletto non è sotto il livello del suolo. Non piantare i picchetti ad angolo. Per una migliore forza di tenuta, piantare i picchetti in un terreno duro e asciutto. In terreni sciolti o bagnati, o entrambi, la forza di tenuta del paletto sarà ridotta.
- La velocità massima del vento di sicurezza durante il gonfiaggio è il livello 4:
- Requisiti di spazio operativo: può essere utilizzato su terreni pianeggianti e non in pendenza, non utilizzare su terreno sabbioso e acqua.
- Si prega di utilizzare il soffiatore in dotazione per il gonfiaggio.
- Posizionare il gonfiabile su un terreno pianeggiante a non meno di 1,8 metri da edifici o ostacoli come recinzioni, garage, case, rami sporgenti, linee di biancheria, linee elettriche, ecc.
- Non installare apparecchiature rimovibili su cemento, asfalto, riempire terra, moquette o qualsiasi altra superficie dura. Una caduta su una superficie dura può causare gravi lesioni all'utente.
- L'area immediatamente adiacente a tutte le entrate e le uscite del dispositivo gonfiabile deve essere dotata di una zona di utilizzo libera da ostacoli e superficie per attutire gli impatti per una distanza di almeno 1,8 m (6 piedi) e deve includere un'altezza di caduta critica come specificato dal produttore.
- Per mantenere pulito il prodotto: pulire la sdraietta o il soffiatore utilizzando un panno asciutto o un panno inumidito con una soluzione detergente e igienizzante neutra, non infiammabile, non tossica o acqua pura.
- Il prodotto non deve mai essere conservato bagnato. Lasciare asciugare prima di arrotolare.
- Il prodotto deve essere esaminato periodicamente per verificare la presenza di condizioni potenzialmente pericolose come: cavo, spina, alloggiamento o parti danneggiati e che, nel caso in cui si riscontrino tali danni, il prodotto non deve essere utilizzato fino a quando non è stato adeguatamente riparato. Non lasciare mai il ventilatore all'aperto sotto la pioggia o alle intemperie quando non è in uso. Le piccole riparazioni possono essere effettuate utilizzando le toppe di riparazione allegate.

- Se la superficie del prodotto si increspa o si rompe, è molto usurata e deve essere riparata.
- Si prega di posizionarsi a lato dell'ingresso dell'area giochi per assicurarsi che tutti i bambini nell'area giochi possano essere osservati.
- Non installare in condizioni di vento o pioggia.
- Non portare oggetti appuntiti nell'area di gioco. Evitare e rimuovere tutti i copricapo, gli indumenti larghi, gli oggetti duri, taglienti o pericolosi, come, a titolo esemplificativo ma non esaustivo: gioielli, poncho, sciarpe, caschi, ecc.
- Non permettere ai bambini più grandi di giocare con i bambini più piccoli
- Evita giochi violenti, come capriole, salti mortali, mosse di wrestling e ginnastica, ecc.
- Non mangiare, bere o masticare gomme durante il gioco.
- Non arrampicarsi o appendersi al muro del rifugio.
- Tenere gli animali domestici lontani dal dispositivo gonfiabile.
- Non collegare al dispositivo gonfiabile oggetti che non sono specificamente progettati per l'uso con il dispositivo gonfiabile, come corde per saltare, stendibiancheria, guinzagli per animali domestici, cavi e catene, poiché potrebbero rappresentare un rischio di soffocamento.
- Si prega di posizionare l'unità gonfiabile su una superficie piana e sull'erba o sul terreno solido.
- Installare una recinzione o un'altra barriera approvata attorno a tutti i lati del gonfiabile ad aria costante.
- Le leggi o i codici statali o locali possono richiedere recinzioni o altre barriere approvate. Controllare le leggi e i codici statali o locali prima di installare il gonfiabile ad aria costante.
- L'annegamento avviene silenziosamente e rapidamente. Assegna a un adulto la supervisione del gonfiabile ad aria costante.
- Tieni i bambini sotto il tuo tiro visivo diretto quando si trovano all'interno o nelle vicinanze del gonfiabile ad aria costante e quando stai riempiendo e svuotando il gonfiabile ad aria costante.
- Quando cerchi un bambino scomparso, controlla prima la piscina, anche se pensi che tuo figlio sia in casa.
- Tieni un telefono funzionante e un elenco di numeri di emergenza vicino al gonfiabile ad aria costante.
- Ottieni la certificazione in rianimazione cardiopolmonare (RCP) in modo da poter rispondere a un'emergenza.



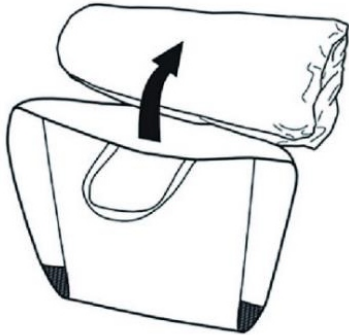
Rischio di folgorazione:

- Tenere tutte le linee elettriche, le radio, gli altoparlanti e altri dispositivi elettrici lontani dal gonfiabile ad aria costante.
- Non posizionare il gonfiabile ad aria costante vicino o sotto le linee elettriche aeree.

II. GUIDA ALL'INSTALLAZIONE

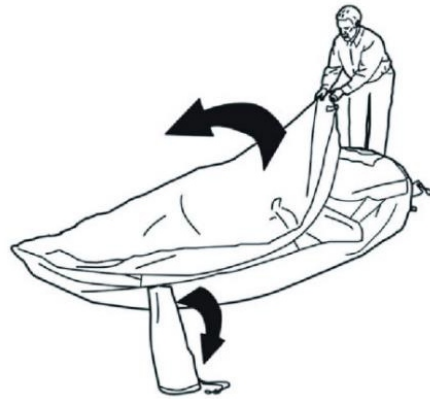
Impostare

1



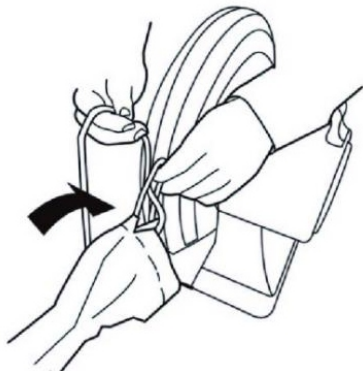
Estrarre l'unità gonfiabile

2



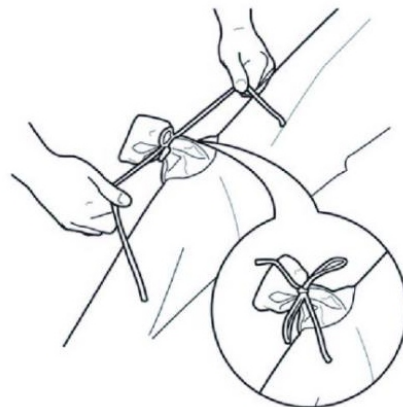
Stendere completamente e trovare la posizione del tubo di ingresso dell'aria.

3



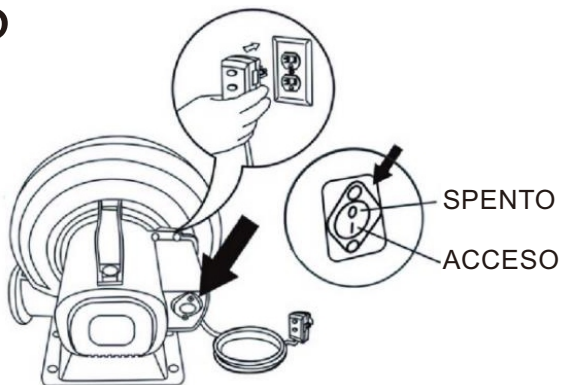
Collegare il tubo in tessuto all'unità di soffiaggio assicurandosi che il tubo non sia attorcigliato.

4



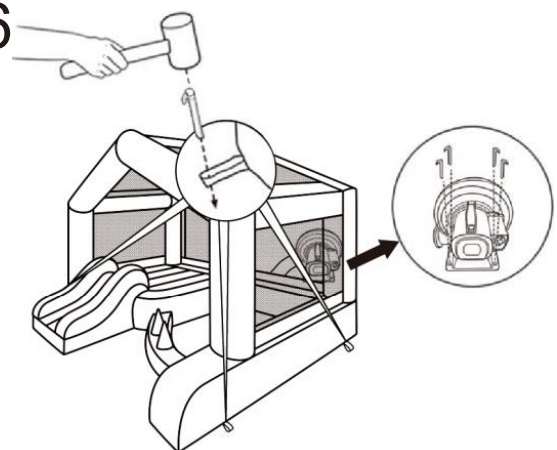
Legare il tubo corto come mostrato.

5



Collegare l'alimentazione e accendere il soffiatore.

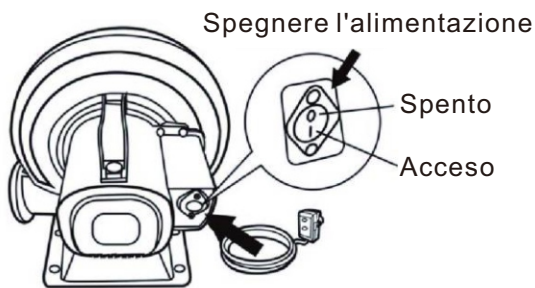
6



Ancorare il buttafuori con i paletti.

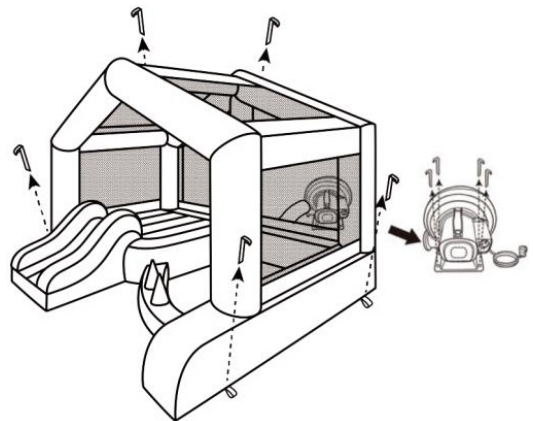
Sgonfiaggio e stoccaggio

1



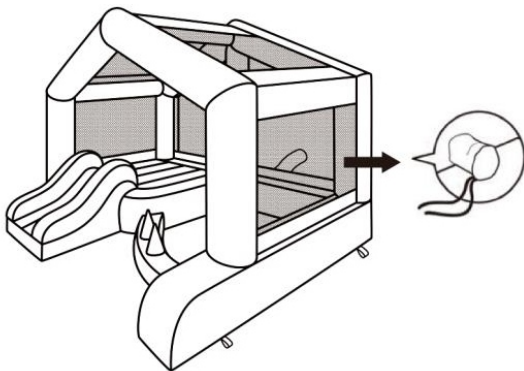
Spegnere il soffiatore e scollegarlo dalla presa.

2



Tira su i paletti

3



Slegare la coulisse dal tubo di aspirazione e lasciare che la sdraietta si gonfi completamente.

4



Ripiegare

5



Comprimi l'aria mentre stai arrotolando il gonfiabile.

6



Mettere in una custodia e conservare in luogo asciutto e ventilato.

Trattamento di cura e mantenimento

Introduzione all'uso delle patch di riparazione

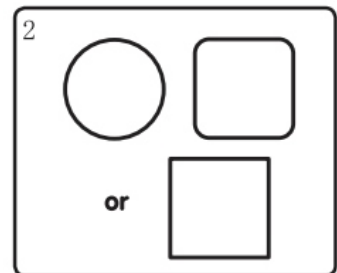
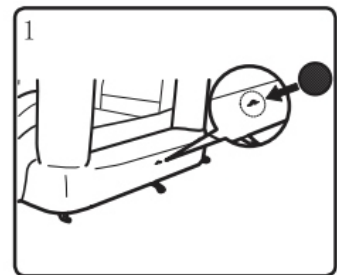


**AVVERTIMENTO
NON UN GIOCATTOLO. SOLO
PER USO ADULTO.**

Attenzione: questo non è un giocattolo.

Può essere utilizzato e utilizzato solo da adulti. Passaggi per l'utilizzo delle patch di riparazione:

- 1) Trova l'area danneggiata, pulisci l'area circostante e attendi che l'area si asciughi.
- 2) Estrarre la toppa colorata corrispondente e tagliarla in una forma e dimensione adeguate. (come mostrato nelle Figure 1 e 2)
- 3) Coprire la toppa di riparazione del taglio sull'area danneggiata.
- 4) Utilizzare la clip metallica per cucire la toppa di riparazione attorno all'area danneggiata.



AVVERTENZE DI SICUREZZA: LA MANCATA OSSERVANZA DI QUESTE ISTRUZIONI PUÒ CAUSARE LESIONI GRAVI O MORTALI.



Numero massimo di giocatori: 3



Limite di peso totale: 90 kg (198 libbre)



Limite di peso individuale: 66 libbre (30 kg)



Altezza massima individuale: 5 piedi (152 cm)



È richiesta la supervisione di un adulto



Età



Nessun oggetto appuntito



Niente scarpe, niente occhiali



Non capovolgere



Non scivolare di testa. Scivola sempre prima con i piedi.



Niente wrestling



Nessuna mano o piede sulla rete



Non utilizzare in condizioni di vento



Non lasciare fuori sotto la pioggia



Non permettere ai bambini di toccare ventilatori o cavi elettrici



Deve essere ancorato usando I picchetti

III. MANUTENZIONE

Istruzioni per la manutenzione dei buttafuori

- Come prodotto per esterni, la casa di rimbalzo è soggetta a usura e deterioramento. Ispezionare per segni di guasto del tessuto; Le superfici deboli o strappate devono essere riparate tempestivamente.
- Per mantenere pulito il prodotto: pulire la sdraietta o il soffiatore utilizzando un panno asciutto o un panno inumidito con una soluzione detergente e igienizzante neutra, non infiammabile, non tossica o acqua pura.
- Il prodotto non deve mai essere conservato bagnato. Lasciare asciugare prima di arrotolare.
- Il prodotto deve essere esaminato periodicamente per verificare la presenza di condizioni potenzialmente pericolose come: cavo, spina, alloggiamento o parti danneggiati e che, nel caso in cui si riscontrino tali danni, il prodotto non deve essere utilizzato fino a quando non viene adeguatamente riparato. Non lasciare mai il ventilatore all'aperto sotto la pioggia o alle intemperie quando non è in uso. Le piccole riparazioni possono essere effettuate utilizzando le toppe di riparazione allegate.

Istruzioni per la manutenzione del ventilatore

- Il ventilatore deve essere scollegato prima della manutenzione.
- Il prodotto deve essere esaminato periodicamente per verificare la presenza di condizioni potenzialmente pericolose come cavo, spina, alloggiamento o parti danneggiati e che, nel caso in cui tali danni vengano rilevati, il prodotto non deve essere utilizzato fino a quando non è stato adeguatamente riparato. Se questi controlli non vengono effettuati, il prodotto potrebbe ribaltarsi o comunque diventare un pericolo.
- Il soffiatore non richiede alcuna lubrificazione e non ha parti riparabili dall'utente. Non tentare di riparare il soffiatore.
- Non immergere la ventola in acqua. Per pulire, strofinare con un panno umido.
- Controllare regolarmente le aperture di aspirazione e uscita e mantenerle libere da sporco, foglie, ecc.
- Quando non è in uso, conservare il soffiatore al chiuso in un luogo asciutto.
- Conservare il soffiatore in posizione verticale su una superficie stabile.
- Avvolgere liberamente il cavo e posizionarlo accanto al soffiatore.
- Quando è in uso, non posizionare il cavo su aree di traffico, acqua o damp aree.
- Il soffiatore è un soffiatore ad alto volume ed è in grado di spostare grandi volumi d'aria molto rapidamente. Posizionare il soffiatore in un'area in cui non aspiri sporco o foglie.
- Non azionare alcuna ventola con un cavo o una spina danneggiati. Eliminare la ventola o restituirla a un centro di assistenza autorizzato per l'esame e/o la riparazione.
- Non far passare il cavo sotto la moquette. Non coprire il cavo con tappetini, guide o rivestimenti simili. Non far passare il cavo sotto mobili o elettrodomestici. Sistemare il cavo lontano dall'area di traffico e dove non possa inciampare.

IV. RISOLUZIONE DEI PROBLEMI

1. C'È ACQUA ALL'INTERNO DELLA MIA UNITÀ

Per asciugare completamente il gonfiabile, spegnere tutti gli spruzzatori e sgonfiare l'unità. Scaricare tutta l'acqua stagnante dall'unità e scuoterla per asciugarla. Una volta che l'unità è asciutta, ricollegare i soffiatori e gonfiare nuovamente l'unità con il tubo corto aperto. L'unità inizierà ad asciugarsi dall'interno verso l'esterno. Questo è fondamentale per evitare problemi come muffe e funghi e per prolungare la vita dell'unità gonfiabile ad acqua. **NON CONSERVARE MAI BAGNATO.**

2. L'UNITÀ NON RIMANE GONFIA

Assicurarsi che il soffiatore sia acceso, attaccato al tubo lungo del gonfiabile e in funzione continuamente durante l'utilizzo del gonfiabile. Assicurarsi che la valvola di sgonfiaggio (tubo corto) sia chiusa durante l'uso. Assicurarsi che il peso degli utenti non superi le specifiche del produttore.

3. IL MIO GONFIABILE NON ENTRA NELLA SUA CUSTODIA

Assicurati che tutta l'aria sia fuori dal gonfiabile. Piega il gonfiabile ogni 24 pollici, spingendo fuori l'aria in eccesso. Una volta che il gonfiabile è stato ripiegato più volte in una lunga corsa di circa 24 pollici di larghezza, arrotolare il gonfiabile da un'estremità all'altra, a "forma di sacco a pelo", continuando a spingere fuori l'aria in eccesso.

4. C'È UN FORO DI PERFORAZIONE NEL MIO GONFIABILE

Il modo migliore per rattoppare definitivamente un buco è usare un filo forte o una lenza per cucire le toppe incluse sopra il foro. L'uso della colla è una soluzione solo a breve termine e potrebbe non durare.

5. POSSO AFFITTARE IL MIO GONFIABILE RESIDENZIALE?

I nostri gonfiabili residenziali non sono progettati per il noleggio o l'uso commerciale.

6. C'È ARIA E/O BOLLE CHE ESCONO DAL MIO GONFIABILE

E' normale. L'aria deve fuoriuscire affinché il gonfiabile funzioni correttamente.

7. SENTO UN SIBILO

E' normale. L'aria deve fuoriuscire affinché il gonfiabile funzioni correttamente, il che potrebbe causare un sibilo.

8. GLI SCIVOLI D'ACQUA FUNZIONANO A SECCO?

Gli scivoli d'acqua scivolano molto meglio bagnati. Alcuni articoli hanno caratteristiche che possono essere utilizzate bagnate o asciutte.

9. MI SEMBRA CHE IL MIO PARCO ACQUATICO SPRECHI ACQUA

È necessaria pochissima acqua per far funzionare gli scivoli. I nostri parchi acquatici hanno una limitazione del flusso, ma puoi anche regolare il flusso d'acqua al rubinetto del tubo, per consentire l'acqua sufficiente per il funzionamento degli scivoli.

10. L'ACQUA FUORIESCE DALL'AREA SPLASH DEL MIO GONFIABILE

E' normale.

11. POSSO RIPORRE IL MIO GONFIABILE ALL'ESTERNO?

No, le condizioni meteorologiche distruggeranno il tuo gonfiabile se viene lasciato fuori. Si prega di conservare l'unità gonfiabile in un luogo asciutto e ventilato.

12. IL MIO SOFFIATORE NON FUNZIONA

Assicurati di utilizzare l'alimentazione standard 110. I ventilatori non funzionano su 220. Se il tuo soffiatore è dotato di un GFCI sulla spina, assicurati che il GFCI sia acceso, non in modalità Test. Controlla la tua presa per assicurarti che sia accesa.

UK

If you have any questions, please contact our customer care centre.

Our contact details are below:



0044-800-240-4004



enquiries@mhstar.co.uk

IMPORTER ADDRESS:

MH STAR UK LTD
Unit 27, Perivale Park,
Horsenden lane South
Perivale, UB6 7RH
MADE IN CHINA

ES

Si tiene alguna pregunta, comuníquese con nuestro Centro de Atención al Cliente. Nuestros datos de contacto son los siguientes:



0034-931294512



atencioncliente@aosom.es

Importador/Fabricante/REP:

Spanish Aosom, S.L.
C/ Roc Gros, nº 15. 08550, Els Hostalets de Balenyà, Spain.

B66295775

atencioncliente@aosom.es

TEL: 931294512

HECHO EN CHINA

FR

Si vous avez la moindre question, veuillez contacter notre centre d'assistance à la clientèle.

Nos coordonnées sont les suivantes:



0033-1-84166106



aosom@mhfrance.fr

Importé par/Fabricant/REP:

MH France
2, rue Maurice Hartmann
92130 Issy-les-Moulineaux
France
Fabriqué en Chine

PT

Se tiver alguma dúvida, por favor contacte o nosso Centro de Atendimento ao Cliente. Os nossos dados de contacto são os seguintes:



0034-931294512



info@aosom.pt.

IMPORTADOR:

SPANISH AOSOM, S.L

C.ROC GROS N.15, 08550. ELS HOSTALETES DE BALENYÀ

TEL: 931294512 (SEG-SEX DAS 7:30H ÀS 16:30H)

INFO@AOSOM.PT

WWW.AOSOM.PT

DE

Wenn Sie Fragen haben, wenden Sie sich bitte an unser Kundendienstzentrum.

Unsere Kontaktdaten stehen unten:



0049-0(40)-87408465



service@aosom.de

Importeur/Hersteller/REP:

MH Handel GmbH
Wendenstraße 309
D-20537 Hamburg
Germany
IN CHINA HERGESTELLT

IT

In caso di dubbio, si prega di contattare il nostro centro assistenza clienti. I nostri dettagli di contatto sono di seguito:



0039-0249471447



clienti@aosom.it

IMPORTATO DA/Produttore/REP:

AOSOM Italy srl

Centro Direzionale Milanofiori

Strada 1 Palazzo F1

20057 Assago (MI)

P.I.: 08567220960

FATTO IN CINA

